

Espay Solar Energy S.L.

Zambia energy storage power station price trend



Overview

Global Price Drop: Lithium-ion costs fell to \$98/kWh globally in 2024 [8], but Zambia's logistics add 15-20% premiums—think of it as a “battery safari surcharge”. Policy Spark: New tax breaks for renewable projects (announced March 2025) could trim system costs by 8% [9]. As of recent data, the average cost of a BESS is approximately \$400-\$600 per kWh. Here's a simple breakdown: This estimation shows that while the battery itself is a significant cost, the other components collectively add up, making the total price tag substantial. Zambia Renewable Energy Zambia. Let's face it: Zambia's energy storage sector is having a “lightbulb moment”. With hydropower supplying 86% of its electricity [6] and climate change causing erratic rainfall, the country is sprinting toward solar+storage solutions. But what's the real deal with Zambia energy storage unit prices in. Installed production capacity in Zambia, 2021 TABLE 5. List of German companies registered and operating in Zambia FIGURE 6. Electricity consumption by economic sector in 2021 TABLE 7. Either way, you've hit the jackpot.

Zambia energy storage power station price trend

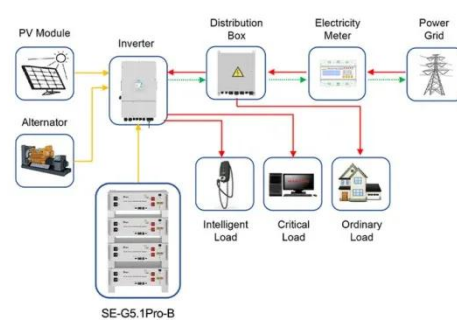


Sector Analysis Zambia Renewable Power Generation and ...

As the market is still in its infancy, there is great potential for development in this renewable resource-rich country, particularly for German and European companies offering climate-friendly energy ...

ZAMBIA ENERGY STORAGE WINNING BID PRICE

With prices dropping 89% since 2010 (BloombergNEF), lithium-ion dominates Zambia energy storage quotations. A 1MW/4MWh system now costs ~\$550,000--cheaper than building a new coal plant!



Application scenarios of energy storage battery products



Zambia Residential Energy Storage System Market (2025-2031)

6Wresearch actively monitors the Zambia Residential Energy Storage System Market and publishes its comprehensive annual report, highlighting emerging trends, growth drivers, revenue analysis, and ...

Average business energy storage price per 300MW in Zambia

Overview As of recent data, the average cost of a BESS is approximately \$400-\$600 per kWh. Here's a simple breakdown: This estimation shows that while the battery itself is a significant cost, the other ...



Average renewable energy storage price per 30kW in Zambia

Average renewable energy storage price per 30kW in Zambia As of recent data, the average cost of commercial & industrial battery energy storage systems can range from \$400 to \$750 per kWh.

Zambia energy storage power generation price

Accessibility to energy and energy justice is at the core of social, economic, and environmental concern facing Zambia, where only 14% of the total population have access to modern electricity (Ministry of ...



average household energy storage price per 200MW in Zambia

Projects concerning energy storage,as with other infrastructure projects in



Poland, require the necessary Energy storage prices in Q1 face market stabilization Energy storage system prices have moderately ...

Zambia Energy Storage System Price Guide 2024: Costs, Trends

Summary: Want to know why Zambia's energy storage system prices vary widely? This guide breaks down lithium-ion vs. lead-acid battery costs, explores solar integration trends, and reveals how ...



Zambia Energy Storage Unit Price: Trends, Case Studies, and What ...

With hydropower supplying 86% of its electricity [6] and climate change causing erratic rainfall, the country is sprinting toward solar+storage solutions. But what's the real deal with Zambia ...



ZAMBIA MOBILE ENERGY STORAGE MODULE PRICE TREND

Price trend of winning bid for energy storage power station According to recent data from GaoGong Industry

Research, in March 2025, the bidding scale for energy storage systems dropped by 55%, ...



Contact Us

For catalog requests, pricing, or partnerships, please visit:
<https://espay.es>

