

Espay Solar Energy S.L.

Wind and solar dual-purpose generator



Overview

A solar-wind hybrid system is an integrated power setup. As summer heats up and power outages seem more frequent, having a reliable solar and wind generator is a smart move. I've personally tested several options, and the ECO-WORTHY 1000W 4KWH Solar Wind Power Kit stood out for its combination of high efficiency and expandability. An energy auditor can do this for you, or you can do it yourself using the resources available online. Energy calculators like this one can help you calculate how much energy you use depending. Harnessing the power of solar and wind energy is an excellent way to generate clean, renewable electricity for homes, farms, RVs, and boats. Below is a comparison table summarizing top products.

Wind and solar dual-purpose generator



Wind Turbine and Solar Panel Hybrid Systems For Off Grid Power

Combining solar panels with wind turbines can optimize energy production in diverse weather conditions. Below is a comparison table summarizing top products that offer ...

Best Solar and Wind Generators for Efficient Off-Grid Power ...

Below is a concise comparison table featuring top-rated hybrid and standalone solar and wind generators designed to provide reliable energy output in varied environments.



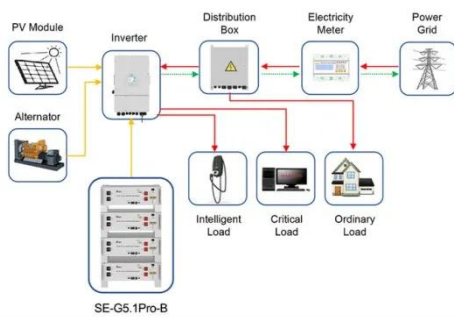
Wind Turbine and Solar Panel Hybrid Systems For Off Grid Power

What is a Hybrid Wind-Solar Energy System? A hybrid wind-solar energy system consists of the following components: These hybrid systems operate off-grid, so you can't rely on an ...

Best Solar and Wind Generators for

Home and Off-Grid Power

Harnessing renewable energy with the best solar and wind generators offers a sustainable solution for homes, farms, RVs, and boats. Below is a summary table of top-rated ...



Best Solar And Wind Generator [Updated: February 2026]

Solar generators typically have higher installation costs but a longer lifespan, while wind generators have a better capacity factor and efficiency. Operational costs are similar for both ...

Solar and Wind Power: Is a Hybrid System Worth It?

This mixed system promises to fix the problems of using just one power source by making wind and solar power energy day and night, rain or shine. This guide will explain how a solar ...



 LFP 280Ah C&I

Missouri Wind and Solar , Your Source for DIY Wind and Solar

Save more when you DIY. Call our sales techs for a free quote on how to install your own wind and solar power.



Best Solar and Wind Generators for Efficient Off-Grid Power

Combining solar panels with wind turbines can optimize energy production in diverse weather conditions. Below is a comparison table summarizing top products that offer reliable ...



Best Solar and Wind Generators for Home and Off-Grid Power Solutions

Equipped with MPPT booster technology for wind turbine charging and PWM technology for solar panels, it ensures continuous and efficient power management, even at low wind speeds. ...

All-in-One Hybrid Wind & Solar Freedom(TM) Kit

Our 24-volt kit features both our Falcon 5 Blade Wind Turbine Generator and two 315-watt solar panels for generating

power and includes all the components you need to start generating clean energy for ...



Solar Wind Hybrid System: Everything You Need to Know

What is a Solar Wind Hybrid System? A solar-wind hybrid system is an integrated power setup. It generates electricity from both solar panels and a wind turbine, stores that energy in a battery bank, ...

Contact Us

For catalog requests, pricing, or partnerships, please visit:
<https://espay.es>

