

**Espay Solar Energy S.L.**

# **Wholesale price of 15kW integrated energy storage cabinet**



## Wholesale price of 15kW integrated energy storage cabinet

---



### Sunrange Commercial 15kw/30wh Integrated Air-Cooled Solar ...

Sunrange Commercial 15kw/30wh Integrated Air-Cooled Solar Energy Storage LiFePO4 Battery System Outdoor Cabinet Bess Solution

### 15kW / 35kWh Hybrid Solar System Integrated Energy Storage Cabinet

This fully integrated energy storage system features a comprehensive all-in-one design, incorporating essential switches for battery fuses, photovoltaic input, utility grid, load output, and diesel generators.



### FLEXIBLE SETTING OF MULTIPLE WORKING MODES



### Energy Storage Integrated Cabinet (9KW-15KW) Manufacturers and

Shop online today for the energy storage integrated cabinet (9kw-15kw) from our factory. As a professional manufacturer and supplier in China, we have specialized in this field for many years.

### Energy Storage Cabinet, energy

## storage system, New Energy ...

Huijue Group's Mobile Solar Container offers a compact, transportable solar power system with integrated panels, battery storage, and smart management, providing reliable clean energy for off ...



## MOBICELL-15K , Solar Energy Storage System with 15kW Fuel-Cell Cabinets

The MOBICELL-15K is a modular three-cabinet clean power system engineered to replace diesel generators for backup and mission-critical power. Ideal for telecom, industrial and remote off-grid ...

## Ue Wholesale off Grid All in One Energy Storage System 15kw 20kw

...

UE is a US Brand Energy Solution Provider, committed to provide one-stop energy solutions including solar power with battery storage to our customers worldwide. UE team has developed agents and ...



## Energy Storage Enclosures/Cabinets , Modular Design to Meet ...

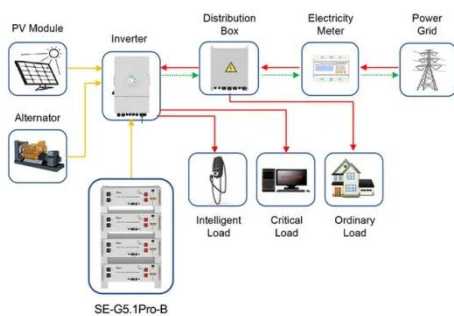
Machan offers comprehensive solutions



for the manufacture of energy storage enclosures. We have extensive manufacturing experience covering services such as battery enclosures, grid energy ...

## Buy 15 kilowatt 15kW Solar Energy Storage System

Factory Price for 15kW Solar Energy Storage System includes Hybrid Inverter 15000W Single Phase, Solar Panels, combiner, Solar Controller, and batteries. 100% EL TESTING, 100% IV TESTING, ...



Application scenarios of energy storage battery products

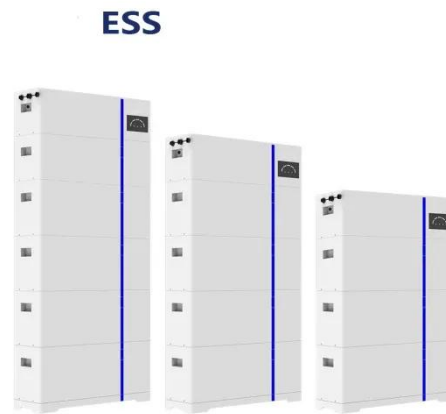
## Storz Power > 15.0kWh Storz Power AI+ LFP Battery Storage with Sol ...

Storz Power AI+ packages boast flexible home energy options that can power just your essentials or your whole home, regardless of size, in the event of a power outage or emergency.

## 15KW Home Solar Energy Storage System

As one of the leading 15kw home solar energy storage system manufacturers and suppliers, we warmly welcome you to wholesale cheap 15kw home solar

energy storage system from our factory.  
All our ...



---

## Contact Us

---

For catalog requests, pricing, or partnerships, please visit:  
<https://espay.es>

