

Espay Solar Energy S.L.

What glue is used to seal photovoltaic panels



Overview

silicone-based sealants, 3. polyurethane glue are commonly employed. **Industrial adhesives are typically formulated for strong bonding to withstand extreme weather conditions and must be resistant to UV. To fix solar panels, **1. These. A solar panel sealant is an adhesive material designed to form a strong barrier between a photovoltaic (PV) module and its frame or mounting system. These sealants protect solar panels from environmental elements such as moisture, UV radiation, extreme temperatures, and potential damage from. Standing in pouring rain with an expensive, flexible solar panel trying to stick to your boat or RV, I realized why strong, waterproof adhesive matters so much. Top Recommendation: Weldbond All Purpose Glue, Bonds Most Anything! Non-Toxic Why We Recommend It: It offers a high-strength, weatherproof bond tested on. Proper sealing of solar panels is crucial for protecting them against moisture infiltration, enhancing electrical safety, and ensuring long-term reliability.

What glue is used to seal photovoltaic panels

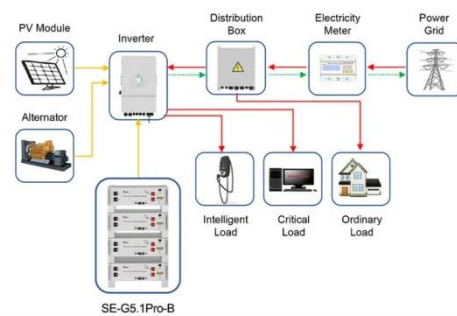


Best Adhesive For Solar Panel [Updated: February 2026]

Factors influencing adhesive choice include the type of solar panel, mounting surface, and local climate conditions. For example, roofing materials and humid climates may require specific ...

Best Glue To Use On Solar Panel [Updated: February 2026]

Honestly, after thorough testing, I can say the Weldbond All Purpose Glue is a fantastic solution for durable, safe solar panel adhesion. Top Recommendation: Weldbond All Purpose Glue, ...



Application scenarios of energy storage battery products



SolarGain® Solar Panel Sealants

SolarGain® Edge Sealant is a desiccated butyl/desiccated polyisobutylene (PIB) solar panel sealant designed for use in a wide variety of photovoltaic (PV) modules.

Adhesive for solar panels: sustainable energy production ,

tesa®

To unlock the potential of this technology, we offer an assortment of solar panel adhesive tapes which you can use for a variety of applications. Wafer based crystalline silicon (c-Si) modules continue to ...



What kind of glue is used to fix solar panels , NenPower

In addition to industrial adhesives, silicone-based sealants are frequently utilized for sealing edges and fixing panels in place. Their flexibility allows them to absorb movements caused ...

The Power of Silicone Adhesives and Sealants in Solar Panel ...

One often overlooked yet vital component that significantly contributes to these attributes is the adhesive and sealant used in solar panel construction. Among the various options available, ...



Solar Panel Bonding Adhesives , Photovoltaic Cell Manufacturing

We have a wide variety of solar panel adhesives, from quick-curing adhesives for attaching the junction box to the PV panel to two-component aliphatic



polyurethane compounds with exceptional UV ...

Sealing Solar Panels

Various types of sealants are available for solar panel applications, with silicone sealants being the most commonly used. Silicone sealants offer several desirable properties, including:



Silicone for sealing, bonding and potting of solar panels

Elkem Silicones provides cost-effective products that ensure electrical integrity (adhesives, electrical insulation, fire resistance) as well as electronic performance (sealing, bonding, and potting of parts).

Contact Us

For catalog requests, pricing, or partnerships, please visit:
<https://espay.es>

