

Espay Solar Energy S.L.

What are the application scenarios of energy storage equipment



What are the application scenarios of energy storage equipment

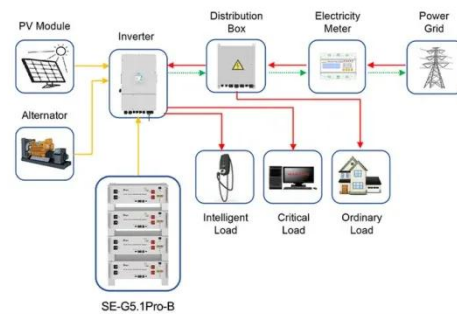


Typical Application Scenarios and Economic Benefit Evaluation ...

In this paper, the typical application scenarios of energy storage system are summarized and analyzed from the perspectives of user side, power grid side and power generation side.

Top 10 Energy Storage Examples (2023 & 2024)

Learn everything about the top energy storage examples across 10 industries as well as the startups & scaleups advancing them!



Application scenarios of energy storage battery products



What are the energy storage application scenarios? , NenPower

Energy storage applications encompass various sectors and functionalities, ranging from renewable energy integration to improving reliability in power distribution systems. 1. Renewable ...

Top 10 Application Scenarios of

Energy Storage ...

This article will focus on analyzing the top ten application scenarios and technology trends of energy storage.



What are the application scenarios of energy storage and heat storage

Application scenarios for energy storage and heat storage are vast, encompassing residential, commercial, and industrial sectors, each facing distinct energy challenges.

Energy Storage Systems: Technologies and High-Power Applications

These applications include energy management, backup and seasonal reserves, and load leveling. The distinction between high-energy and high-power storage solutions highlights their ...



Industrial and Commercial Energy Storage: Key Application Scenarios

This article explores the major application scenarios of industrial and

commercial energy storage and how businesses can leverage these systems for maximum efficiency and sustainability.



Top 5 Application Scenarios of Energy Storage Solutions

Have you ever wondered what energy storage is or how it works? Well, the answer depends on the technology being used. In this article, we'll explore and look at five key types of ...



5 Energy Storage Applications That Are Powering the Future

As the world shifts towards renewable energy, energy storage has emerged as a linchpin for balancing supply, improving reliability, and enabling decarbonization. From utility-scale grids to ...

Types and application scenarios of energy storage systems

After new energy is integrated into the power grid, energy storage can achieve real-time balance in power, improve the

capacity factor of the system, improve energy consumption capacity, and cut ...

12V 10AH



Contact Us

For catalog requests, pricing, or partnerships, please visit:
<https://espay.es>

