

Espay Solar Energy S.L.

The world s largest solar energy storage battery



The world's largest solar energy storage battery



The world's largest solar + storage project will ...

The United Arab Emirates is building the world's largest solar and battery storage project that will dispatch clean energy 24/7.

Largest Solar Battery: Powering the Future with Unmatched Energy Storage

Breaking Down the Megawatt-Hour (MWh) Capacity Revolution The Tesla Megapack installation in South Australia - currently the world's largest solar battery project - showcases what's possible. ...



Sungrow sets new record with world's largest energy storage ...

by MA Yueran Chinese solar and storage giant Sungrow has unveiled a new energy storage platform, PowerTitan 3.0, boasting the world's largest single-cabinet capacity at 12.5 megawatt-hours (MWh), ...



The Top 5: Largest Battery Energy Storage Systems Worldwide

The multi-project cluster includes the world's largest single-site electrochemical energy storage facility: the 4 GWh Envision Jingyi Chagan Hada Energy Storage Power Station.



2MW / 5MWh
Customizable



The Largest Single Energy Storage Battery: Powering the Future ...

As the world shifts toward clean energy, the largest single energy storage battery has become a game-changer for grid stability and renewable integration. This article explores cutting-edge projects, ...

Battery Energy Storage Overtakes Hydropower, Reshaping The Global Power

0 4 The global energy sector crossed a major turning point in 2025 as battery energy storage systems became the largest source of operational energy storage in the world, overtaking ...



The Top 5: Largest Battery Energy Storage Systems Worldwide

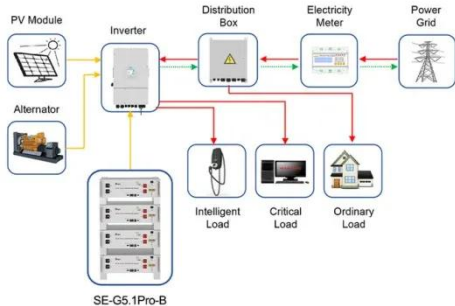
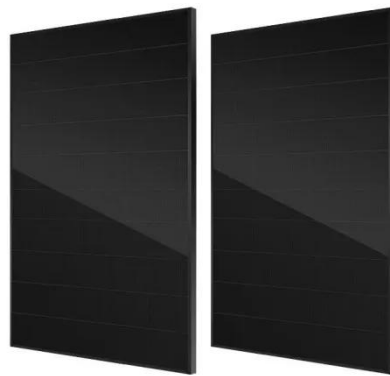
Claiming it to be the world's largest solar-powered battery, FPL developed the Manatee Energy Storage Center Project

with a capacity of 409 MW and the ability to supply 900 MWh of energy.



These are the world's largest battery storage systems: Balancing

Discover the world's largest battery storage systems and how they are crucial for balancing renewable energy supply and demand, stabilizing the grid, and reducing reliance on fossil ...



Application scenarios of energy storage battery products

World's largest AI-powered battery storage cluster comes online ...

The multi-project cluster includes the world's largest single-site electrochemical energy storage facility: the 4 GWh Envision Jingyi Chagan Hada Energy Storage Power Station.

BYD & SEC: World's Largest Grid-Scale Energy Storage Project

Battery storage can help reduce energy costs, enhance the use of renewable energy sources and reduce reliance on

fossil fuels. BYD Energy Storage and Saudi Electricity Company ...



Contact Us

For catalog requests, pricing, or partnerships, please visit:
<https://espay.es>

