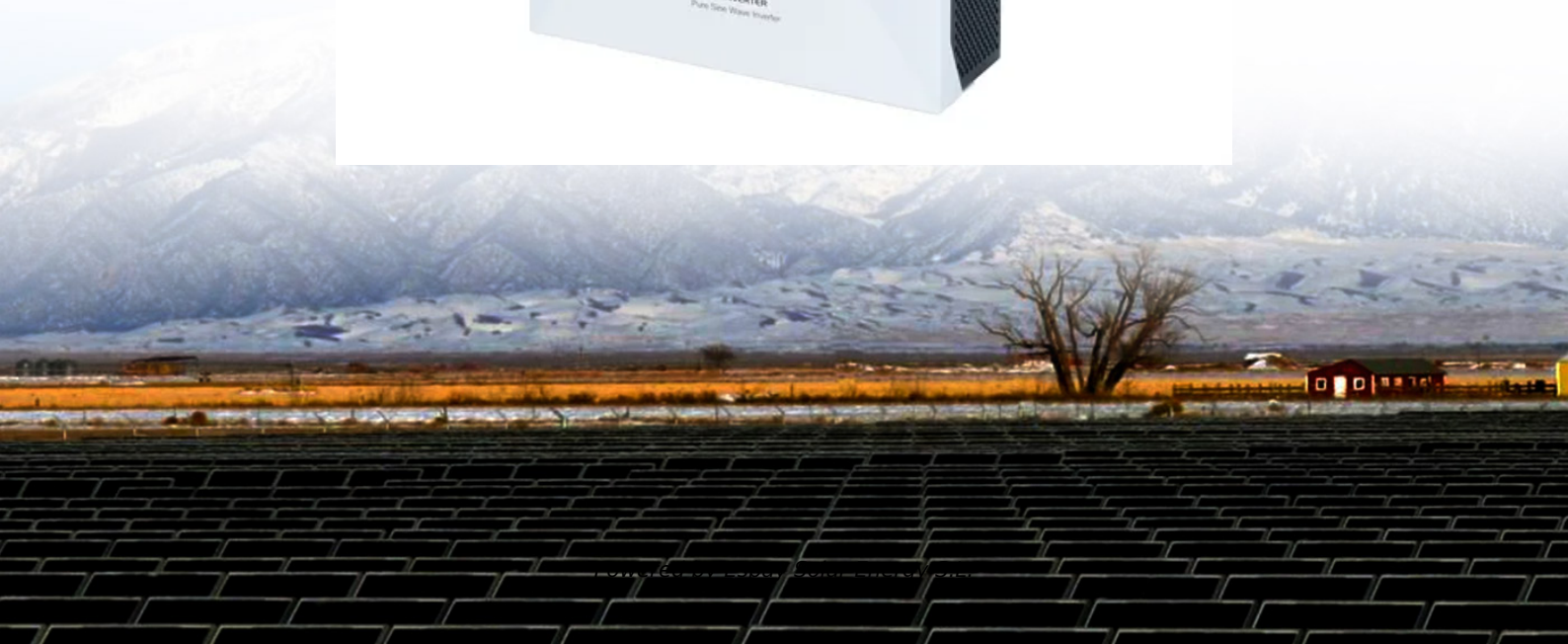


Espay Solar Energy S.L.

The role and function of solar container lithium battery cabinet



The role and function of solar container lithium battery cabinet



Solar Battery Cabinet: The Ideal Solution for ...

A solar battery cabinet offers safe, space-optimized energy storage that enhances battery life and maximizes solar energy use.

Battery Cabinet for Energy Storage Station: Design, Applications, ...

LIWANAG SOLAR - Summary: This article explores the role of battery cabinets in modern energy storage systems. From industrial-scale power management to renewable energy integration, ...



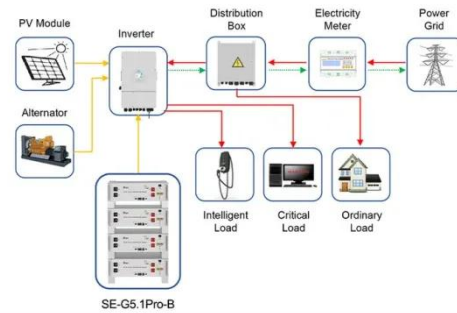
- ✓ ALL IN ONE
- ✓ 100Kw/174Kwh High Capacity
- ✓ Intelligent Integration

Energy Storage Cabinets: Key Components, Types, and Future ...

Lead-Acid Battery Cabinet Lead-acid battery cabinets are well-known for their cost-effectiveness and reliability, though they offer lower energy density compared to lithium-ion batteries. ...

The Role of Battery Cabinet Systems in Modern Energy Storage

The Future of Battery Cabinet Systems
 As renewable energy sources like solar and wind become more prevalent, the need for efficient energy storage solutions grows. Battery cabinet ...



Application scenarios of energy storage battery products



Battery Storage Cabinets: The Backbone of Safe and Efficient Lithium

The Critical Role of Battery Storage Cabinets in Energy Systems Ensuring Safety and Performance Battery storage cabinets are integral to maintaining the safety and efficiency of lithium ...

Working Principle and Advantages of Solar Battery Storage Cabinets

With the rapid development of renewable energy, solar energy, as an important component of clean energy, has gained increasing attention from governments and consumers ...



Energy Storage Battery Cabinet Function Points: Key Applications ...

Summary: Energy storage battery cabinets are revolutionizing industries like renewable energy, grid



management, and transportation. This article explores their core functions, real-world applications, ...

Battery Cabinet_SOFAR

The battery cabinet adopts a modular design and can be flexibly expanded; it is compatible with 320Ah large battery cell design and has higher energy density, and a single cabinet can be expanded to ...



What Are Lithium-Ion Battery Storage Containers and How Do ...

Lithium-ion battery storage containers are specialized enclosures designed to safely house and manage lithium-ion battery systems. They incorporate thermal regulation, fire ...

The Ultimate Guide to Solar Battery Storage Cabinets

A solar battery storage cabinet is a protective, secure unit designed to house batteries that store excess electricity generated by solar panels.

These cabinets ensure the batteries are

...



Contact Us

For catalog requests, pricing, or partnerships, please visit:
<https://espay.es>

