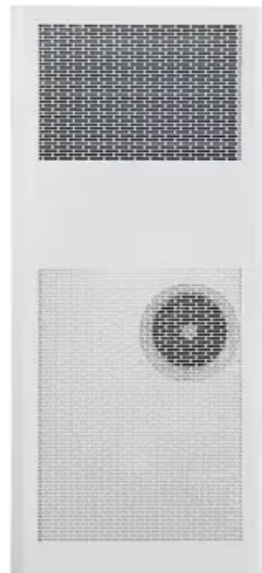


Espay Solar Energy S.L.

Sukhumi large solar container battery



Sukhumi large solar container battery



Solar Container , Large Mobile Solar Power Systems

With our pre-configured solar container unit, you can get going quickly, and the folding solar panels for containers can be deployed in less than three hours. Go big with our modular design for easy ...

Sukhumi Mobile solar container outdoor power BESS

High-efficiency Mobile Solar PV Container with foldable solar panels, advanced lithium battery storage (100-500kWh) and smart energy management. Ideal for remote areas, emergency rescue and ...



500kW / 1000kWh Containerized Energy Storage System

With modular architecture and flexible scalability, it is ideal for applications like peak shaving, frequency regulation, EV charging stations, solar + storage systems, and microgrids.

Sukhumi Industrial solar container battery Enterprise

What is energy storage container? SCU uses standard battery modules, PCS modules, BMS, EMS, and other systems to form standard containers to build large-scale grid-side energy storage projects.



sukhumi solar container battery price , etrailer

Perfect for keeping your RV, camper, or trailer battery topped off during storage, this solar charging system lets you trickle charge using a 7.5-watt solar panel. Connects directly to your battery

Energy Storage Containers: Powering Modern Industries with Flexible

Imagine having a power bank the size of a shipping container - that's essentially what modern energy storage containers offer. These modular systems are becoming the backbone of sustainable energy ...



Sukhumi Industrial solar container battery Enterprise

Solar Container Energy Storage System
1mWh Lithium Battery Furthermore, our

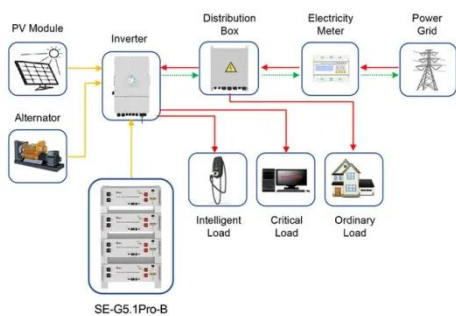
Solar Container Energy Storage System enables seamless integration with solar and wind energy applications.



Which Sukhumi Energy Storage Container is the Best? Key Factors

...

Summary: Choosing the right Sukhumi energy storage container requires balancing performance, scalability, and cost. This guide explores critical selection criteria, industry trends, and real-world ...



Application scenarios of energy storage battery products

SUKHUMI ENERGY STORAGE PROJECT BIDDING KEY INSIGHTS ...

Technological advancements are dramatically improving solar storage container performance while reducing costs. Next-generation thermal management systems maintain optimal operating ...

Sukhumi Power Plant Energy Storage Container

Summary: Choosing the right Sukhumi

energy storage container requires balancing performance, scalability, and cost. This guide explores critical selection criteria, industry trends, and real



Contact Us

For catalog requests, pricing, or partnerships, please visit:
<https://espay.es>

