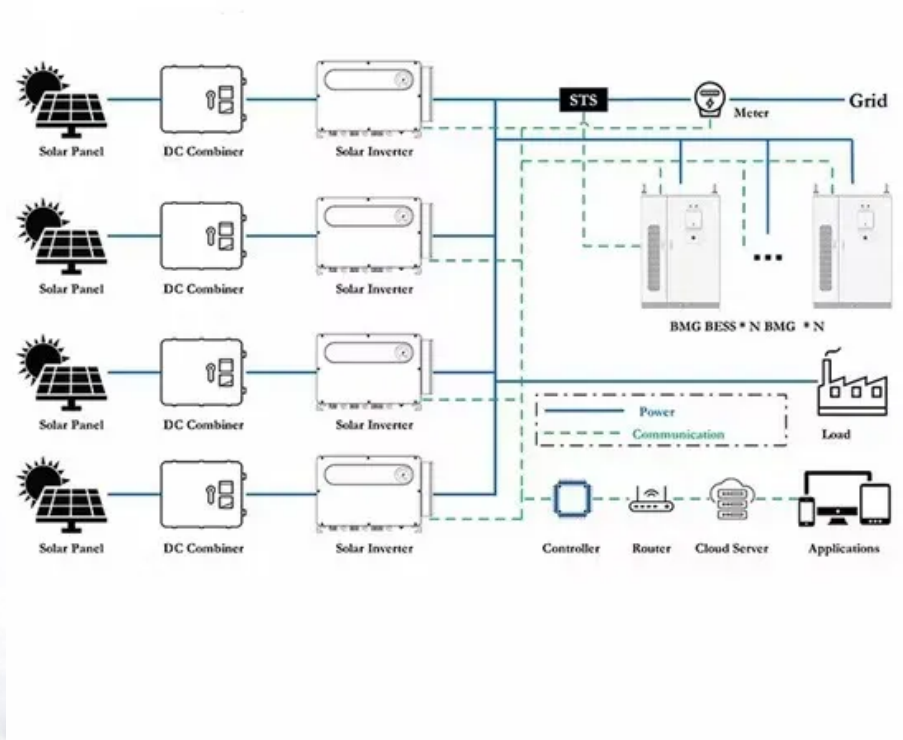


**Espay Solar Energy S.L.**

# Standard photovoltaic panel daily power generation standard



## Overview

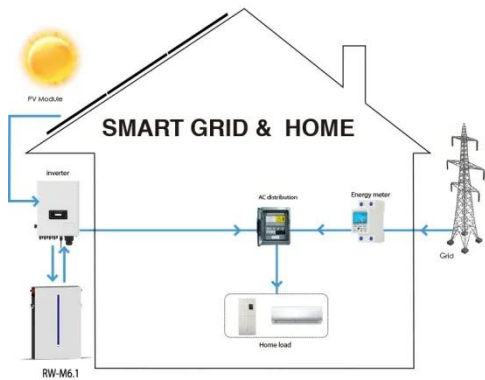
---

On average, a residential solar panel generates between 250 and 400 watt-hours under ideal conditions, translating to roughly 1 to 2 kWh per day for a standard panel. That's the wattage; we have 100W, 200W, 300W solar panels, and so on. How much solar energy do you get in your area?

That is determined by average peak solar hours. South. Plane of Array Irradiance, the sum of direct, diffuse, and ground-reflected irradiance incident upon an inclined surface parallel to the plane of the modules in the photovoltaic array, also known as POA Irradiance and expressed in units of W/m<sup>2</sup>. Performance Ratio based on measured production. How much power does 1 solar panel produce per day?

9. It's not a simple one-size-fits-all answer; instead, it depends on a fascinating interplay of technology, geography, and weather. Many homeowners are initially.

## Standard photovoltaic panel daily power generation standard



### Understanding Solar Photovoltaic System Performance

This report presents a performance analysis of 75 solar photovoltaic (PV) systems installed at federal sites, conducted by the Federal Energy Management Program (FEMP) with support from National ...

### How Much Electricity Do Solar Panels Produce? A Full Guide

On average, a residential solar panel generates between 250 and 400 watt-hours under ideal conditions, translating to roughly 1 to 2 kWh per day for a standard panel. However, actual solar ...



### PVWatts Calculator

Estimates the energy production and cost of energy of grid-connected photovoltaic (PV) energy systems throughout the world. It allows homeowners, small building owners, installers and manufacturers to ...

### How Much Energy Can a Solar Panel

## Produce for Your Home?

A standard solar panel produces about 1-4 kWh of solar energy daily. Under STC (Standard Test Conditions), a 1 kW solar panel produces 1 kWh of electricity in one hour.



## Average daily photovoltaic solar power generation

on How much energy do solar panels produce a day? On average, solar panels will produce about 2 kilowatt-hours (kWh) of electricity daily. That's worth an average of \$0.36. Most homes install around ...

## How to Calculate Daily kWh from Your Solar Panels - EcoVault

In this guide, we'll simplify the math, provide a handy formula, and break down solar panel kWh production based on size, location, and sunlight. Whether you're sizing a system for your ...



## How Many kWh Does A Solar Panel Produce Per Day?

Estimating solar panel energy production is essential for understanding the potential benefits and savings of a solar

power system. This blog covers the key factors affecting solar panel ...



---

## Solar Panel kWh Calculator: kWh Production Per Day, Month, Year

Based on this solar panel output equation, we will explain how you can calculate how many kWh per day your solar panel will generate. We will also calculate how many kWh per year do solar panels ...



---

## How Much Energy Does A Solar Panel Produce?

On average, a solar panel can output about 400 watts of power under direct sunlight, and produce about 2 kilowatt-hours (kWh) of energy per day. Most homes install around 18 solar panels, producing an ...

---

## how much power does a solar panel produce daily

A standard residential solar panel rated at 300W typically produces between 1.2

kWh and 1.8 kWh of power daily,  
depending heavily on where you live and  
the season.



---

## Contact Us

---

For catalog requests, pricing, or partnerships, please visit:  
<https://espay.es>

