

**Espay Solar Energy S.L.**

# **Solar power generation version modification**



## Solar power generation version modification

---

114KWh ESS



ISO 9001 ISO 14001 PICC RoHS CE MSDS UN38.3 UK CA IEC

### Solar power generation modification sharing platform

What are the different types of energy sharing within a solar powered building community? In this study, the energy sharing within a solar powered building community is further ...

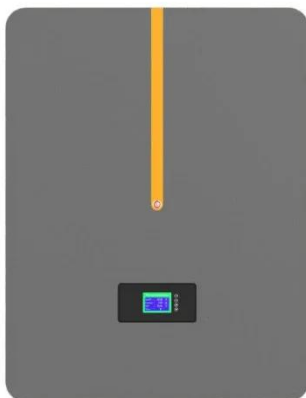
### The effects of solar radiation modification on solar and wind ...

The solar and wind data are used to evaluate changes in solar photovoltaic (PV) and wind farm power generation in the Caribbean in future 'SRM versus non-SRM worlds'. Solar irradiance ...



### A new method to improve the power quality of photovoltaic power

Based on an analysis of the 24 solar terms, this work investigated their impact on PV power generation in China and established a correlation coefficient between PV output and solar terms.



### Solar Radiation Modification challenges decarbonization ...

40 terms. Here, we target the question of changes in renewable energy (RE) generation potential in the case of solar-based RE technologies, photovoltaic (PV) and concentrated solar power ...

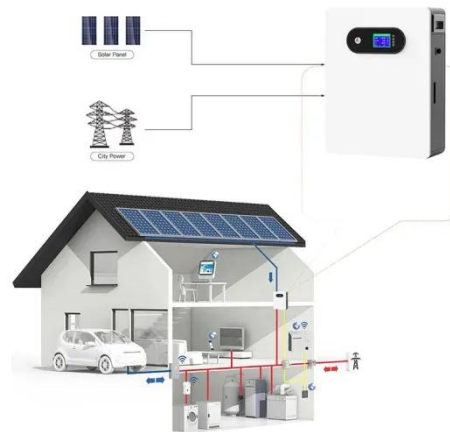


### The effects of solar radiation modification on solar and wind ...

The slow pace of global mitigation efforts has led to increased interest in Solar Radiation Modification (SRM) as a means for rapidly and artificially cooling the planet. Deploying SRM technologies, ...

### Modification Three Solar Power Installation Zero Four: Enhancing

However, the effectiveness of solar power systems is not static; continuous improvement through innovation and modifications is essential to maximize energy yields, extend system ...



### (PDF) Solar Radiation Modification challenges decarbonization ...

1 Solar Radiation Modification challenges decarbonization with renewable solar energy Susanne Baur 1, Benjamin M. Sanderson 2, Roland S  f  rian 3, Laurent

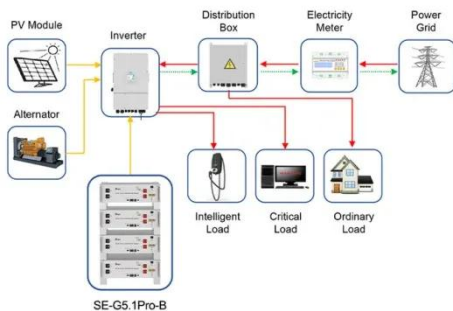
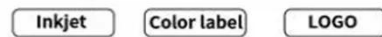
## Terray 1



### Modelling, simulation, and measurement of solar power generation...

Empirically, the missing extrinsic factors were used to transform the implicit solar power model into an explicit model. The development of a solar power generation model, multiple ...

#### Support any customization



Application scenarios of energy storage battery products

### Comparative analysis and modification of the existing PV system ...

Recent energy demands have resulted in a significant increase in carbon dioxide emissions, and the way forward is to shift to renewable energy resources. Solar photovoltaic is one ...

## Contact Us

For catalog requests, pricing, or partnerships, please visit:

<https://espay.es>

