

Espay Solar Energy S.L.

Solar container battery storage factory in Niger



Overview

Société Nigérienne d'Electricité (Nigelec) has contracted a consortium of India's Sterling and Wilson, France's Vergnet and SNS Niger to construct a solar PV battery storage and diesel genset-based hybrid power plant in the central city of Agadez. The local government decided to adopt a renewable energy solution: solar + energy storage system to provide a reliable power supply for villages and solve long-term power consumption. This initiative will bring the dawn of sustainable development to the desert village and bring substantial. LZY offers large, compact, transportable, and rapidly deployable solar storage containers for reliable energy anywhere. Who is LZY energy storage?

Founded in 2012 Shanghai LZY Energy Storage Co. Pre-fabricated containerized solutions now account for approximately 35% of all new utility-scale storage deployments worldwide. North America leads with 40% market.

Solar container battery storage factory in Niger



Africa GreenTec installs first solar container in Niger

Société Nigérienne d'Electricité (Nigelec) has contracted a consortium of India's Sterling and Wilson, France's Vergnet and SNS Niger to construct a solar PV battery storage and diesel genset ...

Energy Storage Equipment, Energy storage solutions, Lithium battery

Huijue Group offers industrial and commercial energy storage, PV-BESS -EV Charging, Off-grid / On-grid Microgrid, telecom site solutions, and home solar energy storage, ensuring ...



European Warehouse

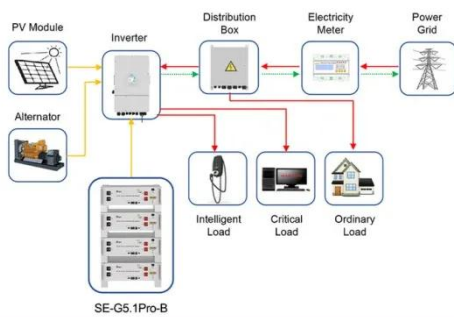
 7-15 days
 ONE-STOP SOLUTION
 65kWh 30kW
 130kWh 30kW
 130kWh 60kW

Niger home power storage system

German startup Africa GreenTec has commissioned its first solar container in Niger, in the Tahoua region. In Africa, solar containers provide renewable energy to villages, farms, charity organizations ...

NIGER LITHIUM ION BATTERY TECHNOLOGY

Technological advancements are dramatically improving solar storage container performance while reducing costs. Next-generation thermal management systems maintain optimal operating ...



Application scenarios of energy storage battery products

A 40ft BESS Container for African Desert Rural Areas to Solve

SCU provided a 40ft energy storage container to a rural village in the Niger desert in Africa, helping it solve its long-term electricity problem and bringing substantial improvements to the ...

Niger energy storage

SCU provided a 40ft energy storage container to a rural village in the Niger desert in Africa, helping it solve its long-term electricity problem and bringing substantial improvements to the lives of residents.



Top Energy Storage Container Solutions in Niger: Reliable Power for

About Us: With 12 years' experience across West Africa, we've deployed 230+ storage containers in Niger alone.

Our ISO-certified factory combines LiFePO4 battery tech with military-grade enclosures ...



Africa GreenTec installs first solar container in Niger

A German start-up has commissioned its first solar container in the Tahoua region of Niger, a thoroughfare for nearly 90% of African refugees.



NIGER ENERGY STORAGE BATTERY MANUFACTURING PLANT

Société Nigérienne d'Electricité (Nigelec) has contracted a consortium of India's Sterling and Wilson, France's Vergnet and SNS Niger to construct a solar PV battery storage and diesel genset ...



Niger Energy Storage Battery Powering Sustainable Growth in West ...

This analysis explores market opportunities, technical challenges, and innovative applications shaping Niger's

energy storage landscape.



Niger solar container lithium battery energy storage module ...

SunContainer Innovations - Summary: As Niger seeks to modernize its energy infrastructure, energy storage batteries are emerging as a critical solution for renewable integration, grid

Contact Us

For catalog requests, pricing, or partnerships, please visit:
<https://espay.es>

