

**Espay Solar Energy S.L.**

# **Solar Rolling System**



## Overview

---

Rollable Solar Panels are lightweight, durable, and extremely portable. Unmatched durability allows for use in even the harshest. The Jackery SolarSaga 100W Bifacial Portable Solar Panel surprised me with its dual-sided design — it captures sunlight from both surfaces, boosting power by 30%. Setting it up took seconds thanks to its sturdy kickstands, and it handled rain and dust easily thanks to its splash-proof ETFE case. The Rapid Roll provides an extremely mobile solution which packs enough power for energy intensive operations. Easily mounted on an on-road or off-road trailer or flat-bed truck, the Rapid Roll provides many options for deployment to practically any global location imaginable. Only 2 left in stock - order soon. In this article, we will delve into the advantages and disadvantages of solar roller shutters, delve into pricing details and. Roll-A-Rack is a new solar-panel racking system that reduces racking and installation costs of traditional systems by 30 percent. The material costs are 50 percent less than current racking systems. Designed for flat roofs and ground.

## Solar Rolling System

---



### Home - Roll A Rack

Roll-A-Rack is a new solar-panel racking system that reduces racking and installation costs of traditional systems by 30 percent. The material costs are 50 percent less than current racking systems. ...

---

### Rollable Solar Panels

Rollable Solar Panels are lightweight, durable, and extremely portable. The solar panels are fully waterproof, IP67 rated, and constructed with marine-grade connectors to provide a portable solar ...



Modular design,  
unlimited combinations in parallel  
**BUILT-IN DUAL FIRE PROTECTION MODULE**



### LZY Mobile Solar Container , Mobile Solar Power System

LZY-MSC1 Sliding Mobile Solar Container is a portable containerized solar power generation system, including highly efficient folding solar modules, advanced lithium battery storage and intelligent ...

---

### RAPID ROLL Solar Mat - Renovagen

Easily mounted on an on-road or off-road trailer or flat-bed truck, the Rapid Roll provides many options for deployment to practically any global location imaginable. The Rapid Roll system is modular and ...

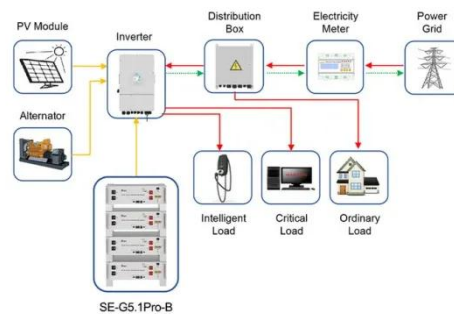


### **LZY Mobile Solar Container , Mobile Solar Power System**

LZY-MSC1 Sliding Mobile Solar Container is a portable containerized solar ...

### **Amazon : Solar Sliding Gate Opener**

Discover solar sliding gate openers that combine reliable performance, safety features, and flexible control options for your home or business.



Application scenarios of energy storage battery products

### **Best Solar Rolling Panel [Updated: January 2026]**

Solar rolling panels enhance gate opener efficiency by harnessing solar energy, reducing energy costs, and ensuring continuous operation during power

outages. Each of these factors plays ...



---

## Mobile Solar Container Systems , Foldable PV Panels , LZY Container

LZY's photovoltaic power plant is designed to maximize ease of operation. It not only transports the PV equipment, but can also be deployed on site. It is based on a 10 - 40 foot shipping container. Efficient ...



---

## Solar Container , Large Mobile Solar Power Systems

LZY mobile solar systems integrate foldable, high-efficiency panels into standard shipping containers to generate electricity through rapid deployment generating 20-200 kWp solar arrays, reducing reliance ...



---

## A complete guide to Solar roller shutters (pros and cons, prices

In this article, we will delve into the advantages and disadvantages of solar

roller shutters, delve into pricing details and offer you a comprehensive step by step manual on selecting and setting ...



---

## Contact Us

---

For catalog requests, pricing, or partnerships, please visit:  
<https://espay.es>

