

**Espay Solar Energy S.L.**

# **Sierra leone smart pv-ess integrated cabinet 1mw**

**Nominal Capacity**

**280Ah**

**Nominal Energy**

**50kW/100kWh**

**IP Grade**

**IP54**



## Sierra leone smart pv-ess integrated cabinet 1mw

 **TAX FREE**    

**Product Model**  
 HU-ESS-215A(100KW/215KWh)  
 HU-ESS-115A(50KW/115KWh)

**Dimensions**  
 1600\*1280\*2200mm  
 1600\*1200\*2000mm

**Rated Battery Capacity**  
 215KWH/115KWH

**Battery Cooling Method**  
 Air Cooled/Liquid Cooled



### Sierra Leone Smart solar Energy Storage System

Scheduled for deployment by December 2025, this off-grid solar-storage solution will provide stable, efficient, and clean power to local mining operations, integrating seamlessly with existing photovoltaic ...

### SIERRA LEONE LITHIUM BATTERY ENERGY STORAGE CABINET

What is a mobile solar PV container? High-efficiency Mobile Solar PV Container with foldable solar panels, advanced lithium battery storage (100-500kWh) and smart energy management.



### Powering Sierra Leone's Future: Industrial & Commercial Energy ...

Discover how energy storage cabinets are transforming Sierra Leone's industrial and commercial sectors. From stabilizing power grids to enabling renewable energy adoption, this guide explores the ...

### 100kWh Smart PV Ess Cabinet

Integrated PV and storage system with super wide PV input voltage; Small footprint and IP54 protecting grade for outdoor installation. Safe & Reliable High-performance battery cell, meet IEC/UL/GB ...



### **Wenergy Delivers Stars Series ESS to Sierra Leone, Empowering ...**

Scheduled for deployment by December 2025, this off-grid solar-storage solution will provide stable, efficient, and clean power to local mining operations, integrating seamlessly with existing photovoltaic ...

### **COMMERCIAL BATTERY ENERGY STORAGE SYSTEMS BESS**

This product is designed as the movable container, with its own energy storage system, compatible with photovoltaic and utility power, widely applicable to temporary power use, island application, ...



### **SUNFiD Solar Energy Storage System**

1MW Energy Storage System is highly integrated with lithium battery, battery

management system, PCS, grounding system, power distribution system, temperature control system and fire protection ...



---

## COMMERCIAL AND INDUSTRIAL ESS ENERGY STORAGE ...

Basic models can start from around \$1,000 while more advanced systems may exceed \$5,000 or more, depending on the specifications and features integrated into the cabinet design.



## ESS-GRID Cabinet Brochure EN-250401

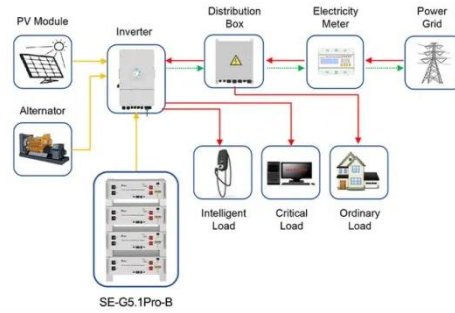
Integration of all energy storage system components, the output of which can be directly connected to the utility and photovoltaic systems. Multiple cabinets can be connected in parallel to realize the ...

---

## wholesale price of 50kw solar integrated energy storage cabinet in

This integrated commercial energy storage cabinet delivers 50kW of output

with a large 100.3kWh high-voltage LFP battery pack. Engineered for dynamic industrial environments, it ...



Application scenarios of energy storage battery products

## Contact Us

For catalog requests, pricing, or partnerships, please visit:  
<https://espay.es>

