

Espay Solar Energy S.L.

Rare solar container energy storage system in the Middle East

Voltage range

636V-876V

Rated voltage

768V

Cell type

Lithium iron phosphate



Overview

The roughly AED232 billion (US\$5.2GW) of solar PV with a 19GWh battery energy storage system (BESS), which Masdar claimed was the “largest and most technologically advanced system of its kind in the world.” The project is expected online in 2027. The Emirati state-owned renewables developer Masdar has begun construction on a giant solar-plus-storage project in Abu Dhabi. This article explores the region's evolving market, key applications, and the role of modular solutions like those in the Middle East. In a recent chat with pv magazine, Yasser Zaidan, senior sales manager for the Middle East at JinkoSolar, described the trajectory of the large-scale storage business in the main markets of the Middle East. Saudi Arabia's large scale energy storage market is expected to develop at an annual wind speeds drop, electricity can no longer be generated. Indicator Data Market Size (2024) USD 2. This project responds to the Middle East's growing demand for clean, reliable, and sustainable energy.

Rare solar container energy storage system in the Middle East



GSL ENERGY 480kWh high-voltage rack battery energy storage system

In March 2025, GSL ENERGY successfully installed four 120kWh high-voltage rack battery energy storage systems in the Middle East, a total of 480kWh of energy storage capacity. ...

UAE: Masdar begins 'world-largest' solar-plus-storage ...

The Emirati state-owned renewables developer Masdar has begun construction on a giant solar-plus-storage project in Abu Dhabi.



Sunpal Powers the Future: Cutting-Edge Solar and Storage Debut at

Sunpal showcased advanced solar and energy storage solutions at Middle East Energy 2025, highlighting flexible panels and smart container ESS.



Energy Storage Container

Production in the Middle East: Trends

With 12 years of experience in Middle East energy projects, we specialize in custom containerized storage solutions compliant with GCC grid codes. Our thermally optimized designs have powered ...

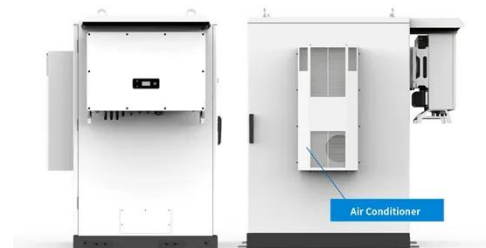


Powering the Future: Energy Storage Solutions in the Middle East

From Jordan's solar farms to Egypt's wind energy projects, energy storage is the linchpin ensuring that these renewable sources can deliver consistent and reliable power.

The case for utility-scale storage in the Middle East

In a recent chat with pv magazine, Yasser Zaidan, senior sales manager for the Middle East at JinkoSolar, described the trajectory of the large-scale storage business in the main markets of



Middle East and Africa energy storage outlook 2025

This research offers actionable insights into market dynamics, helping clients navigate the complexities of the MEA energy storage landscape and identify

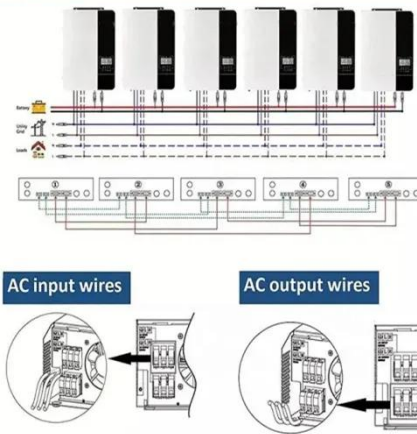
growth opportunities over the ...



Powering the Future: The Booming Energy Storage Market in the ...

This article explores the current state, key projects, future prospects, and opportunities in the region's energy storage market, offering insights for professionals, investors, and policymakers

Parallel (Parallel operation up to 6 unit (only with battery connected))



Storage Projects in MENA Region , Synergy Consulting

Heralded as the largest project of its kind, the plan would seek to commission the kingdom's first two solar farms by 2019, featuring 3GW and 4.2GW of solar capacity, and eventually integrate battery ...

Energy Series Advancing Energy Storage in the MENA Region

Speakers will examine various storage technologies, from long-duration

batteries to advanced grid-scale solutions, and discuss the role they play in stabilizing energy grids and supporting renewable energy ...



Contact Us

For catalog requests, pricing, or partnerships, please visit:
<https://espay.es>

