

Espay Solar Energy S.L.

Price of wind solar and storage micro power station



Price of wind solar and storage micro power station

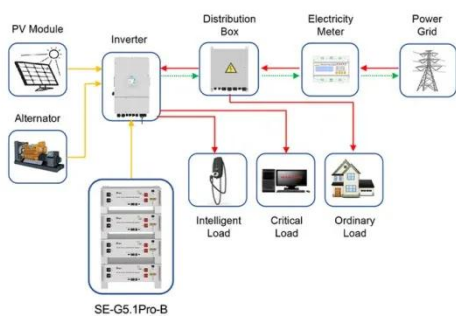


How much is the electricity price of wind and solar energy storage

The average cost of electricity generated by wind and solar power stations varies significantly across regions and project types. However, it has been observed that the cost has ...

How Much Does A Wind Turbine Cost?

According to HomeGuide, the average cost for a commercial wind turbine ranges from \$2.5 million to \$4 million, with prices typically around \$1 to \$1.25 million per megawatt.



Application scenarios of energy storage battery products

Estimating the Real Cost of Electricity from Solar, Wind, and Coal

Redundancy Adds Significant Costs: Wind and solar require substantial overbuild, storage, and backup to provide the same reliability as coal or natural gas plants, drastically ...

How much does wind and solar

energy storage cost? , NenPower

How much does wind and solar energy storage cost? Wind and solar energy storage investments can vary widely, typically ranging from \$150 to \$600 per kWh, influenced by numerous ...



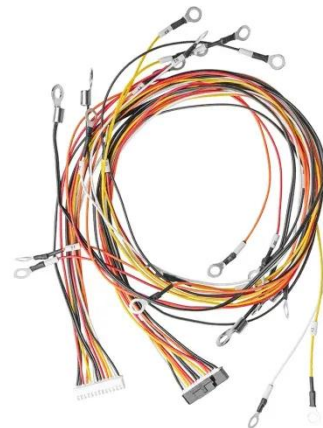
Cost of Wind Energy Review: 2024 Edition

The 13th annual Cost of Wind Energy Review uses representative utility-scale and distributed wind energy projects to estimate the levelized cost of energy (LCOE) for land-based and offshore wind ...



Small Wind Turbines for Homes: 2025 Technology Review and Cost ...

Complete 2025 guide to small wind turbines for homes: costs, efficiency, installation, and whether residential wind power makes financial sense for your property. Latest technology reviews ...



Wind Turbine Cost Guide 2025: Complete Pricing Breakdown (\$700 ...

Wind turbine prices range dramatically from \$700 for small residential units to

over \$20 million for the largest offshore turbines, with total project costs varying significantly based on size, ...



Energy Storage Power Station Price Unit: Trends, Costs, and Future

Let's cut to the chase: If you're in the energy game, you've probably heard the buzz about energy storage power station price units dropping faster than a smartphone battery on a video ...



Understanding the Price of Small Wind and Solar Energy Storage

Summary: This article explores the pricing factors, applications, and trends for small-scale wind and solar energy storage systems. Learn how these solutions empower homes, farms, and businesses to ...



What Are the Upfront Costs of Installing a Microgrid System?

Discover the upfront costs of installing a microgrid system and how Catalyst Power can help eliminate these

expenses for immediate energy savings and resilience.



Contact Us

For catalog requests, pricing, or partnerships, please visit:
<https://espay.es>

