

Espay Solar Energy S.L.

Price of solar panels installed in factories in Iceland



Overview

Explore the factors shaping solar panel pricing in Reykjavik, learn how installation costs align with Iceland's renewable energy goals, and discover actionable strategies to optimize your investment. Discover comprehensive insights into the statistics, market trends, and growth potential surrounding the solar panel manufacturing industry in Iceland. The total annual sunshine hours for Reykjavík, the capital, averages around 1,330 hours, with May being the sunniest month with 201 hours of. Understanding the pricing of solar panel installation requires a look at various contributing factors: System Size: The primary determinant of the installation price is the size of the solar panel system. Most residential systems range from 3 kW to 10 kW. 9024, experiences varied solar energy generation potential across different seasons due to its position in the Northern Temperate Zone. In summer, the city can harness an average of 4.64 kWh per day per kW of. At SolarInstallations, we specialize in delivering high-quality, reliable solar installations tailored to meet your home or business energy needs.

Price of solar panels installed in factories in Iceland



SUPPLY CHAIN STRATEGY FOR A SOLAR FACTORY ICELAND ...

How much does a 400-watt solar panel cost? The price for a pallet of 33 REC Solar 400-watt mono solar panels is \$10,400.00. Another offer is available for \$12,900.00.

Solar Installation in Iceland

Expert Installation: Our team of certified installers ensures that your solar panels are installed to maximize energy production and efficiency. Cost-Effective: We offer affordable solar panel ...



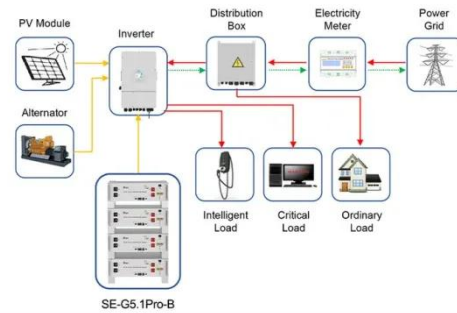
Iceland Solar Photovoltaic (PV) Panels Market (2025-2031)

Iceland Solar Photovoltaic (PV) Panels Market is expected to grow during 2025-2031



Commercial Solar Panel Cost: The Ultimate 2025 Guide for Businesses

Commercial solar panels are photovoltaic systems installed on business properties to generate electricity or heat. Unlike residential panels, commercial systems tend to be larger, with capacities ...



Application scenarios of energy storage battery products



Solar Company in Iceland , Solar EPC Companies in Iceland , Solar

As one of the top solar EPC companies in Iceland, we offer a wide range of services, including solar panel installation, solar energy system design, and solar power plant construction.

Understanding the Price of Photovoltaic Panels at Reykjavik s Solar ...

Explore the factors shaping solar panel pricing in Reykjavik, learn how installation costs align with Iceland's renewable energy goals, and discover actionable strategies to optimize your investment.



Solar Manufacturing for Unique Climates: The Iceland Case

Can a small factory in Iceland compete with large international manufacturers?

Directly competing on the price of standard, commodity modules would be challenging. The competitive ...



Solar PV Analysis of Reykjavik, Iceland

So far, we have conducted calculations to evaluate the solar photovoltaic (PV) potential in 19 locations across Iceland. This analysis provides insights into each city/location's potential for harnessing solar ...



Iceland Solar Panel Manufacturing Report , Market Analysis and Insights

Explore Iceland solar panel manufacturing landscape through detailed market analysis, production statistics, and industry insights. Comprehensive data on capacity, costs, and growth.

How Does Solar Panel Installation Price in Iceland Work?

The combination of its unique

geographical location and a government keen on sustainable practices makes understanding solar panel installation prices essential for homeowners and businesses alike.



Contact Us

For catalog requests, pricing, or partnerships, please visit:
<https://espay.es>

