

Espay Solar Energy S.L.

Photovoltaic panel operation monitoring



Overview

A performance monitoring system is a tool—either hardware, software, or both—that tracks the energy production and efficiency of your solar panels. These systems collect data from the solar inverter or each individual panel and display it on a web-based portal or mobile app. Panel-level monitoring significantly outperforms system-level monitoring - Microinverter and power optimizer systems that provide individual panel data can increase overall system performance by 5-15% compared to traditional string inverter monitoring by enabling targeted maintenance and precise. Get a detailed real-time view of your entire fleet from a single, easy-to use platform. Solar panels sit on your roof for decades, silently making electricity from the sun, saving you money and saving the planet a little bit each day. Clicking “Get Your Estimate” submits your data. This project introduces an add-on device that monitors key data points essential for evaluating the daily performance of a photovoltaic (PV) array.

Photovoltaic panel operation monitoring



Solar Monitoring Guide: Optimizing Your System's Performance

Live solar monitoring is the key to identifying issues early and keeping your system running smoothly and efficiently. By monitoring your energy production closely, you and your ...

How to Monitor Solar Panel Output: The Complete Guide

Learn how to monitor solar panel output with our comprehensive guide. Compare monitoring systems, setup instructions, troubleshooting tips, and expert recommendations.



LFP12V100



Solar PV Monitoring: Maximizing Performance Through Real-Time ...

These sophisticated monitoring platforms integrate advanced sensors, data analytics, and remote management capabilities to provide unprecedented visibility into photovoltaic system ...

PV Solar Panel Monitor

Track solar production, panel temperature, solar irradiance, and more with PowerWise. Get the most out of your solar panels with integrated monitoring. Read data directly from many inverters with our ...



Photovoltaic System Monitoring

The Photovoltaic (PV) monitoring system collects and analyzes number of parameters being measured in a PV plant to monitor and/or evaluate its performance. In order to ensure the reliable and stable ...

PV Monitoring Platform

Track, manage and optimize the performance of multiple SolarEdge systems with smart tools which let you access the specific data you need. Streamline your operations and minimize system downtime ...

APPLICATION SCENARIOS



A Real-Time Monitoring Device for Assessing Photovoltaic

This interface allows homeowners to conveniently monitor and assess the ongoing operational status and

performance health of their photovoltaic (PV) system throughout the day, ...



Best Solar Monitoring Systems For 2025

In this article, we review several solar monitoring systems and give tips on choosing the right system for your needs. Clicking "Get Your Estimate" submits your data to All Star Pros, which ...



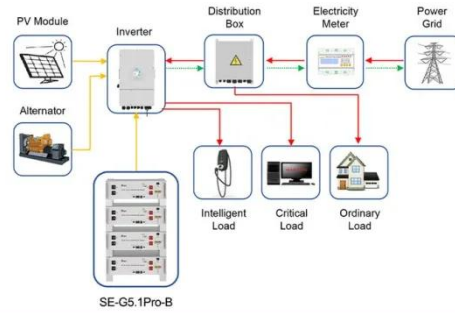
Best Solar Monitoring Systems For 2025

Solar monitoring systems help homeowners see whether their solar panels are working and how much electricity they make, tracked over time to compare.

Understanding Performance Monitoring Systems for Solar Panels

These systems give you real-time insights into how well your solar panel system is operating, helping you identify

issues, optimize output, and maximize your return on investment.



Application scenarios of energy storage battery products

Contact Us

For catalog requests, pricing, or partnerships, please visit:
<https://espay.es>

