

**Espay Solar Energy S.L.**

# **Photovoltaic panel glass adhesive cleaner**



## Overview

---

Below, five top-rated cleaners—each with strong concentration, eco-friendly formulas, and practical usage—are reviewed to help you choose the best option for your solar array. This guide covers effectiveness, safety, and value for both residential rooftops and larger installations. Keeping your glass solar panels clean is essential for maximizing their efficiency and longevity. Solar panels accumulate dirt, dust, bird droppings, and water spots that can significantly reduce energy absorption. This article presents top-rated solar panel cleaning solutions that are. [Amazon-developed Certification] Compact by Design identifies products that, while they may not always look very different, have a more efficient design. Its powerful cleaning action helps maintain.

## Photovoltaic panel glass adhesive cleaner

---



### Amazon : Solar Panel Cleaner

By reducing water and/or air in the product or packaging, these become more efficient to ship. At scale, these small differences in product size and weight can lead to carbon emission reductions.

### Best Glass-to-Glass Solar Panel Cleaners for Peak Efficiency

Keeping glass-to-glass solar panels spotless is essential for maximizing light exposure and energy output. The right cleaner removes oil, fingerprints, and mineral deposits without harming ...



### Titan Glass Gleam Solar , Solar Panel Cleaning , Shop WCR

The Glass Gleam Solar is one of the best solar panel cleaners on the market. Removes stains & debris on your solar panels, keeping them streak-free. Shop now.

### How to use solar glass cleaner , NenPower

Not any household glass cleaner will suffice; instead, opting for a specifically formulated solar glass cleaner will yield the best results. These cleaners contain ingredients that effectively ...



**OEM service**

Hot Colors:



Color can be customized  
more questions just do not hesitate to contact us

LOGO Position: (Screen printing)

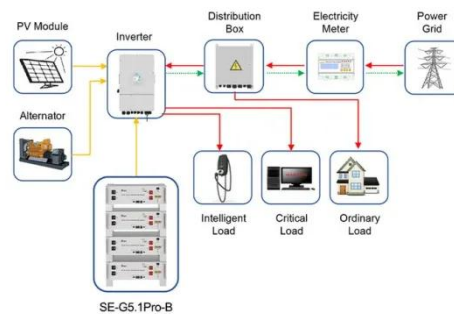


**Glass Glean Solar - Solar Panel Cleaner (1 Quart) review**

This cleaner is specifically marketed for glass and glazed solar panels, claiming to restore photovoltaic efficiency while remaining gentle and environmentally conscious.

**Best Solar Panel Cleaner [Updated: January 2026]**

It restores photovoltaic efficiency without damaging protective layers, a real advantage over more aggressive cleaners. Its small 1/4 oz. usage per gallon means excellent value, and its ...



Application scenarios of energy storage battery products

**Best Glass Solar Panel Cleaners for Efficient Photovoltaic Performance**

This article presents top-rated solar panel cleaning solutions that are ultra-concentrated, eco-friendly, and specially formulated for glass surfaces. Below is a

summary table of the selected ...



---

## Can You Use Glass Cleaner on Solar Panels?

Standard glass cleaning products should not be used on photovoltaic modules because of the specific chemical components they contain. Many popular household cleaners include harsh ...



## Beest Solar Sheen Solar Panel Cleaner Ultra Concentrated Glass

Restore your solar panels to peak efficiency with this ultra concentrated solar panel cleaner. Designed specifically for photovoltaic panels, this formula quickly removes oils, fingerprints, and water spots to ...

---

## Best Glass to Glass Solar Panel Cleaners for Peak Efficiency

This guide highlights five top glass-cleaning products designed to restore photovoltaic efficiency while being safe

for the environment. Each option offers strong concentration, easy mixing, ...



---

## Contact Us

---

For catalog requests, pricing, or partnerships, please visit:  
<https://espay.es>

