

**Espay Solar Energy S.L.**

# Number of UPS battery cabinets



## Overview

---

The battery cabinets are available in 5 different mechanical dimensions, are able to contain various combination of Batteries, up to maximum 63 blocks, connected in series and parallel, with positive, negative and middle point poles and with max DC voltage of 800Vdc. Unified Power offers a complete line of battery cabinets for both UPS and Telecom Applications. Features Space saving foot print is the industry's most compact design. If your current battery time is too short and has to be extended, Keyitec can provide you with additional batteries and battery cabinets to meet your new.

## Number of UPS battery cabinets

---



### UPS Battery Cabinet: Ensuring Reliable Power Backup & Safety

Consider the capacity of your UPS system and how many batteries you need to support it. Make sure the cabinet can accommodate the number and type of batteries required for your ...

### UPS Energy Storage Systems , ABB Electrification U.S.

Housed in a tough enclosure, our solution provides reliable, lightweight, and compact energy storage for uninterruptible power supply (UPS) systems. Battery cabinets are designed to hold batteries used to ...



### Battery Cabinets

Universal battery cabinets for all three-phase Legrand UPS from 10kVA up to 800kVA power range. The Battery cabinet is designed to house standard VRLA Batteries of capacity range from 24Ah to 105Ah ...



51.2V 300AH

### UPS VRLA Battery Cabinet Breaker

## Sizing Explained

The cabinet breaker size depends on the number of battery cabinets sharing the load. If you have 6 cabinets in parallel, the current per cabinet decreases vs 5 cabinet in parallel.



## Eaton battery solutions brochure

The 1085 model cabinets can support Eaton, CSB, EnerSys, North-star, and Yuasa batteries from 280 watts/cell up to 620 watts/cell. Each cabinet can take 40 battery jars, includes pull out trays with 48V ...

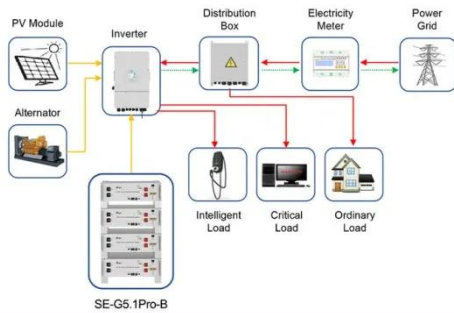
## UPS Battery Cabinets

Keyitec provides new battery cabinets for single and 3-phase UPS's (Liebert, Mitsubishi, APC, Toshiba, Eaton, MGE, GE ) plus cabinets for spare batteries



## UPS Battery Cabinet Upgrade, Retrofit, Replacement

Discover how to evaluate and replace your UPS batteries. We help you determine and decide if a like-for like replacement or an upgrade is needed.



Application scenarios of energy storage battery products

## Battery cabinet UPS

The battery cabinets are available in 5 different mechanical dimensions, are able to contain various combination of Batteries, up to maximum 63 blocks, connected in series and parallel, with positive, ...



## UPS Battery Cabinets

Unified Power offers a complete line of battery cabinets for both UPS and Telecom Applications. These cabinets can be configured to match OEM cabinets and offer a competitive option for system ...

## Contact Us

For catalog requests, pricing, or partnerships, please visit:  
<https://espay.es>

