

Espay Solar Energy S.L.

Lithium battery energy storage cabinet for office buildings 20kW on sale



Lithium battery energy storage cabinet for office buildings 20kW or



Vertiv(TM) EnergyCore, Lithium Ion Battery Cabinet

With advanced BMS intelligence for precise State of Charge (SoC) and State of Health (SoH) tracking, these battery cabinets simplify installation, reduce maintenance, and optimize runtime.

Energy Storage Cabinet Outdoor 20KW 50KWh/ 30KW 60KWh

This energy storage cabinet is a PV energy storage solution that combines high-voltage energy storage battery packs, a high-voltage control box, an energy storage PV inverter, BMS, cooling systems (an ...



RS485
Communication between battery and inverter
Band rate:9600bps.

RS485 Interface
Communication between parallel packs or BMS and PC
Band rate:9600bps.

Customized Cabinet Lithium Battery 20kWh

All-in-one 20kWh lithium battery energy storage cabinet system developed for demand regulation, industrial and commercial energy storage.

20KW 50KWh Industrial And

Commercial Energy Storage Cabinet

This innovative system offers seamless integration with solar power and provides efficient, reliable energy storage. Experience the cutting-edge technology and exceptional performance of our high ...



Lithium-ion Battery Cabinets DENIOS



Discover the latest lithium-ion cabinet design, featuring advanced safety measures like fireproof battery storage, perfect for residential and commercial energy storage applications.

20kWh/40kWh C & I Energy Storage Outdoor Lithium Battery Cabinet ...

The CX-CI001 lithium battery energy storage cabinet can be customized for on-grid/off-grid operation mode, provides UPS functions, and can be flexibly expanded.



Pylontech Complete Energy Storage 20kWh US5000 Lithium ...

Turnkey solution for 20kWh energy storage. Full kit with protection devices, cables, enclosure and batteries. Lowest

Price Online and Best Delivery We added all the accessories, power cables, ...



Lithium-Ion Battery Charging Cabinet , Securall

With optional customization available, we're ready to meet even the most demanding charging environments. Battery charging carries inherent risks. Securall cabinets are built to minimize fire ...



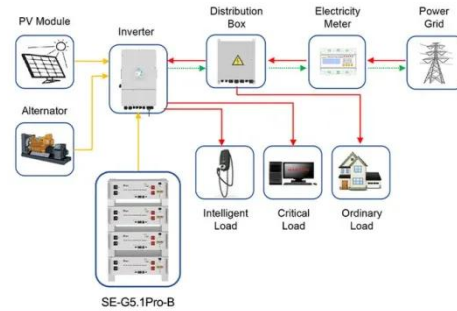
Commercial and Industrial Energy Storage Cabinet BESS , Anern

Wide Applicability: Compatible with standalone energy storage stations, commercial/industrial user-side systems, microgrids, and renewable energy integration. Smart Connectivity: Supports remote ...

20kw lithium battery storage cabinet

648 20kw lithium battery storage cabinet products are offered for sale by

suppliers on Alibaba , of which home energy storage accounts for 46%, industrial & commercial energy storage accounts for ...



Application scenarios of energy storage battery products

Contact Us

For catalog requests, pricing, or partnerships, please visit:
<https://espay.es>

