

Espay Solar Energy S.L.

Industrial Park Container Energy Storage



Industrial Park Container Energy Storage



Deployment strategies and carbon reduction potential of hybrid energy

Hybrid energy storage systems (HESS) can fully utilize the advantages of each storage technology, forming complementary benefits, and significantly improving the economy and carbon ...

Study on the hybrid energy storage for industrial park energy ...

The optimization methods and processes for designing and operating hybrid energy storage systems were proposed based on theoretical frameworks and methods. It is hoped that this review can ...



Industrial parks involving energy storage

The resolution methodology is then given. This method is discussed in an application case study of a complex real problem involving 15 companies in an EIP with energy demands taken from Yeosu ...

Energy Storage Solutions for Industrial Parks , GSL Energy

Industrial parks are facing growing electricity demand, grid instability, and environmental pressure. GSL ENERGY's industrial energy storage systems provide reliable power backup, real ...

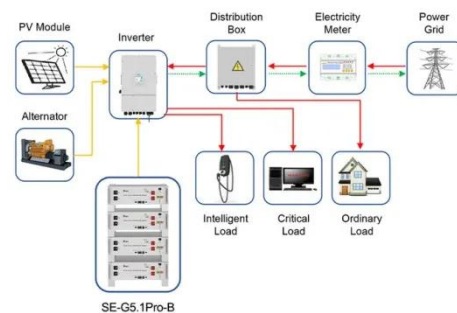


High-Voltage Containerized Energy Storage: Decoding the Core ...

Driven by the "dual carbon" goals and the development of a new power system, high-voltage containerized energy storage is emerging as a vital innovation. With its advantages of high ...

Micro Grid Energy Storage, Energy Cabinet, Container Energy Storage

Huijue's Industrial and Commercial BESS are robust, scalable systems tailored for businesses seeking reliable energy storage. Our solutions integrate seamlessly into large-scale operations, supporting ...



Application scenarios of energy storage battery products

Industrial Park Container Energy Storage Systems: The Future of ...

Let's face it - industrial parks are the energy vampires of modern



infrastructure. But what if they could store their own power like squirrels hoarding nuts for winter? Enter container energy ...

Energy Storage Applications in Industrial and Urban Parks: A

Introduction Energy storage systems (ESS), particularly lithium-ion battery-based solutions, are transforming how energy is managed in industrial parks and urban parks worldwide. ...



2025 Guide: Containerized Energy Storage Systems for Scalable ...

What is a Containerized Energy Storage System? A Containerized Energy Storage System (ESS) is a modular, transportable energy solution that integrates lithium battery packs, BMS, ...

Battery Containers for Large-Scale Energy Storage

Energy storage for utility-scale projects A battery container is a robust and scalable solution for large-scale energy storage. It enables organisations to store

and deploy energy at the scale required
for ...



Contact Us

For catalog requests, pricing, or partnerships, please visit:
<https://espay.es>

