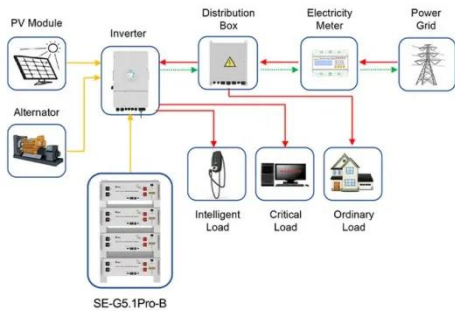


Espay Solar Energy S.L.

Huawei base station 48v power module



Huawei base station 48v power module



Application scenarios of energy storage battery products

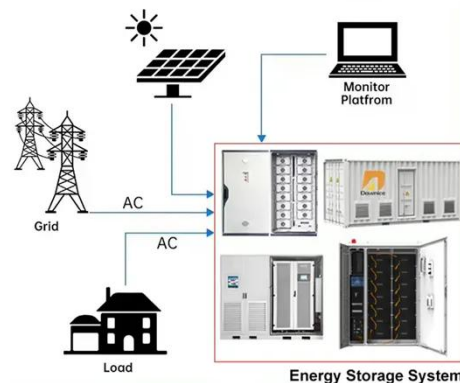
Huawei Rectifier Power Supplies

Huawei offers a range of advanced rectifier and power supply platforms tailored to diverse deployment scenarios--from urban centers to remote locations. An all-in-one, multi-technology base station with ...

48V DC Rectifier Module Huawei R4815N1 Power Supply Unit for ...

High Efficiency: With an efficiency rating of up to 96%, the R4815N1 minimizes energy loss and operational costs. Compact Design: Its compact and modular design allows for easy integration into ...

DISTRIBUTED PV GENERATION + ESS



Huawei 48v Power Module R4850n6 Rectifier Module Industrial Power

The communication rectifier module is packed in the original carton, and it contains electrostatic bags and foam to ensure the safety of the rectifier module during transportation.

HW R4875G1 48V 75A 4000W

telecom power high-efficiency rectifier ...

The Huawei 4875 series power module (such as R4875G1) is an efficient and high-power density communication rectifier module launched by Huawei, designed specifically for modern ...



Huawei RRU5904w

R4850n R4850n r4850n New And Original Huawei R4850n 48v 50a DC Power Rectifier Module

ESM-48100A9 Huawei Brand New 48V 100Ah Lithium Battery 4800W

The ESM-48100A9 Huawei Lithium Battery Module is an advanced, high-performance energy storage solution designed for telecom base stations, data centers, and renewable energy systems.



Huawei R4850N6

The Huawei R4850N6 is a high-efficiency 48V 3000W telecom power supply module designed for reliable DC power systems. It is widely used in Huawei base stations, cabinets, and access

network ...



huawei ETP48200-B2A1 Price Quotation,48V DC Power System

5G Base Station DC System The ETP48200-B2A1 is an embedded power system that supplies power to -48 V DC telecom equipment. It has a maximum output current of...



ESM-48100C1 Huawei High Quality 48 V DC ESM Battery 4800 W

The ESM-48100C1 Huawei is a premium Huawei 48V DC Energy Storage Module (ESM), delivering safe, reliable, and high-density backup power for telecom, data center, and enterprise applications.

Huawei 48V 50ah Battery Dbu50b Distributed Battery Unit

It is an efficient, compact, lightweight, easy to install, parameter free, and maintenance free outdoor/indoor distributed power supply solution

designed for wireless base stations,
supporting ...



Contact Us

For catalog requests, pricing, or partnerships, please visit:
<https://espay.es>

