

**Espay Solar Energy S.L.**

# **How much does a 20-foot solar-powered container cost**



## Overview

---

A basic 20-foot solar-ready home usually starts around \$30,000 and can go up to \$50,000. What about cost?

RPS delivers the container via trailer. Cost will be dependent on distance traveled, and calculated custom for your location. 6 kWp system with 41 kWh battery, while mid-range hybrid containers (80–200 kW PV with LiFePO<sub>4</sub> storage) often cost €30,900–€43,100; small off-grid units can be found for ~\$9,850–\$15,800, and turnkey BESS. The exact number of solar panels that can fit on a 20ft container depends on the size of the panels themselves, but here's how you can estimate it: - 20ft container: Length = 6.43 meters (8 ft) - Solar panels come in various sizes, but a common size is around 1.6m x 1.0m. Designed to be strong and mobile, it offers 140kWh per day, thanks to its 60 m<sup>2</sup> solar array and 50 kWh battery storage.

## How much does a 20-foot solar-powered container cost

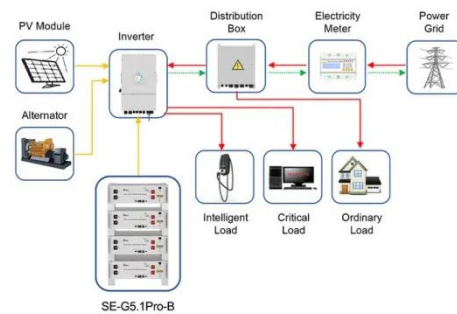


### How Much Does It Cost to Have a Solar Container System?

Wondering what a solar container system costs? Explore real-world price ranges, components, and examples to understand what impacts total cost--and if it's worth the investment.

### Solar Power Solutions for 20ft Shipping Containers

Cost Savings: Simple mobile office container installation of 3 kW solar system will save \$2,500-\$4,000 in fuel consumption every year. A German logistics company installed solar panels on ...



Application scenarios of energy storage battery products



### Shipping Container Home with Solar Panels: Features, Dimensions, ...

Container homes with solar panels are a smart, sustainable way to live--and they look cool too. Solar energy can cut down your electric bills and pay off over time. These homes are flexible, with layouts ...

### Solar Power Home System for

## Shipping Containers

How Much Does a 20 kW Solar System Cost? The cost of a 20-kW solar system can vary depending on several factors, but here's a ballpark estimate and some pointers to consider:



### Solar Container 20ft

Increases your energy capabilities with our compact and powerful 20ft Solar Energy Container construction. Designed to be strong and mobile, it offers 140kWh per day, thanks to its 60 m<sup>2</sup> solar ...

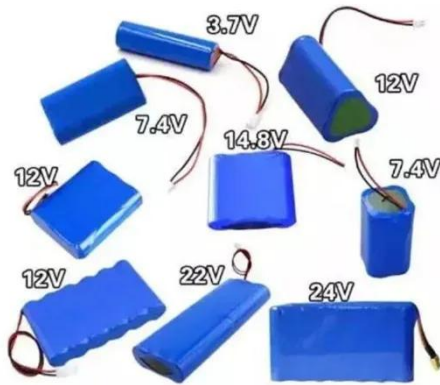
## Best Shipping Container Cabin: Kits, Costs And Ideas

Cost per square foot: a broad average of \$150-\$350/sq ft depending on complexity and location. These figures typically exclude land, major utility runs, and unusual site challenges (e.g., long access roads, ...)



### 20ft PV Container: The Efficient Solution Reshaping the Future of Off

Its cost of transportation is reduced by 40% from 40ft containers and is



particularly advantageous for disaster zones or hard-to-access locations. The foldable structure can be unfolded ...

---

## Understanding Solar Container Pricing in 2025

Solar container systems - those all-in-one power stations combining photovoltaic panels, batteries, and inverters in shipping containers - have become the Swiss Army knives of renewable energy. But let's ...



---

## Solar Container Price And A Balance Between Configuration And Cost

Below is an exploration of solar container price ranges, showing how configuration choices capacity, battery size, folding mechanism, and smart controls drive costs. Prices span from ...

---

## Instant Off-Grid(TM) Shipping Containers with Solar and Batteries and AC+

Our 20 and 40 foot shipping containers

are outfitted with roof mounted solar power on the outside, and on the inside, a rugged inverter with power ready battery bank.



---

## Contact Us

---

For catalog requests, pricing, or partnerships, please visit:  
<https://espay.es>

