

Espay Solar Energy S.L.

How many solar power companies are there



Overview

As of January 2024, IBIS World estimates that 11,091 solar panel installation companies are operating in the United States. With a secure supply chain backed by tax incentives, this number will rise as both the commercial and residential market continues to grow. This is a list of notable photovoltaics (PV) companies. Grid-connected solar photovoltaics (PV) is the fastest growing energy technology in the world, growing from a cumulative installed capacity of 7.7 GW in 2007, to 320 GW in 2016. In 2016, 93% of the global PV cell manufacturing capacity. In this article, we've focused on the titans of the industry — the largest solar companies in the world — and explored their crucial role in shaping the future of energy. We've also highlighted key metrics like installed capacities, market shares, and annual revenues. Each profile includes seven focused sections, company name, founders, founding year, headquarters, product categories, a 100-word strategic description, and 5-10 bullet-pointed key features, to. There are more than a dozen solar panel manufacturers in the United States. [Need More Details on Market.](#)

How many solar power companies are there



Top 50 List of Largest Solar Companies Globally [New 2024 Data]

The total number of solar companies in the world is 74,501. Germany has the largest number of solar companies, with 21,827 making up 29% of the worldwide solar industry.

Top 10 Solar Power Companies in USA (2026)

Explore the top 10 solar companies in the USA for 2026. Discover the industry's best solar companies with innovative solar panels and solutions.

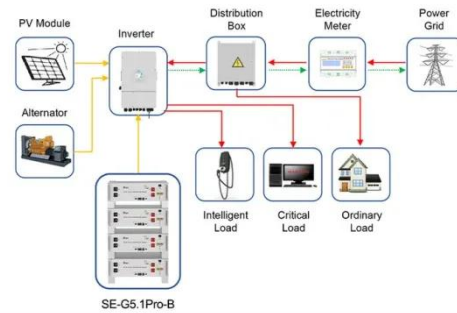


The Solar Power Surge: How Many Solar Companies ...

Curious about the solar industry? Discover how many solar companies are in the US and how to drive sustainable growth in clean energy.

10 Biggest Solar Companies

NextEra Energy, First Solar, and Nextracker are the top three solar companies, based on market cap.



Application scenarios of energy storage battery products



List of photovoltaics companies

In terms of solar module by capacity, the 2011 global top ten are Suntech, LDK, Canadian Solar, Trina, Yingli, Hanwha Solar One, Solar World, Jinko Solar, Sunneeg and Sunpower, represented by ...

Top 20 Solar Power Companies

These 20 solar power companies, spanning module innovation, utility-scale project delivery, and behind-the-meter solutions, are driving the energy transition through differentiated technologies, integrated ...



14 Largest Solar Companies In The World [As of 2026]

In this article, we've focused on the titans of the industry -- the largest solar companies in the world -- and explored their crucial role in shaping the future of

energy. We've also highlighted ...



Top 10: Solar Energy Companies , Energy Magazine

Energy crises pushed solar development forwards and by the 2000s global solar PV installations passed 1 GW. Solar energy is now a major contributor to electricity generation and is set ...



United States Solar Energy Companies

This report lists the top United States Solar Energy companies based on the 2023 & 2024 market share reports. Mordor Intelligence expert advisors conducted extensive research and identified these ...



How many solar photovoltaic companies are there? , NenPower

1. There are thousands of solar photovoltaic companies globally, primarily influenced by local regulations,

market demands, and technological advancements. 2. T...



Contact Us

For catalog requests, pricing, or partnerships, please visit:
<https://espay.es>

