

**Espay Solar Energy S.L.**

# How many centimeters is a solar energy storage cabinet



## Overview

---

The standard dimensions of energy storage containers are usually 600 centimeters in length, 300 centimeters in width and 350 centimeters in height. Our Industrial and Commercial BESS offer scalable, reliable, and cost-effective energy solutions for large-scale operations. Ouch! The energy storage world isn't just getting bigger - it's getting smarter. This guide will delve into the benefits of solar battery storage cabinets, with a special focus on indoor storage solutions, their key features. What is the size of a household energy storage cabinet?

The size of a household energy storage cabinet varies significantly based on various factors such as the technology used, the manufacturer, and the energy capacity required for individual needs. Prewir storage cabinet lifepo4 battery ESS containe .

## How many centimeters is a solar energy storage cabinet

---



### Standard Energy Storage Cabinet Dimensions: What You Need to Know

Whether you're an engineer, facility manager, or renewable energy enthusiast, understanding these measurements isn't just about avoiding awkward installations - it's about safety, ...

---

### Step-by-Step Solar Battery Cabinet Installation Guide

Follow this detailed guide for a smooth installation of your solar battery cabinet and maximize renewable energy use



### LZY-MSC1 Sliding Solar Container , Rapid Deployment Energy Storage

...

The LZY-MSC1 Mobile Solar Container is a mobile solar solution based on a standard container design, equipped with core components such as high-efficiency solar panels, storage batteries and inverters ...

## The Ultimate Guide to Solar Battery Storage Cabinets

This guide will delve into the benefits of solar battery storage cabinets, with a special focus on indoor storage solutions, their key features, and how they can enhance the performance ...



### Energy storage cabinet size and container size

Adding Containerized Battery Energy Storage System (BESS) to solar, wind, EV charger, and other renewable energy applications can reduce energy costs, minimize carbon footprint, and increase ...

## I& C Energy Storage Solution

As a professional manufacturer in China, produces both energy storage cabinets and battery cell in-house, ensuring full quality control across the entire production process.



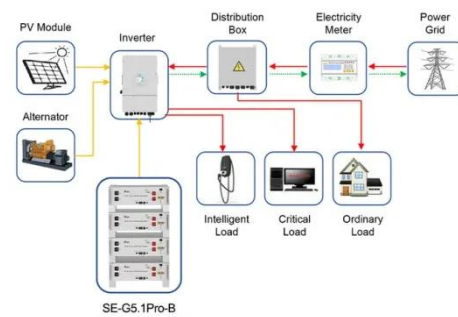
### LZY-MSC1 Sliding Solar Container , Rapid Deployment ...

The LZY-MSC1 Mobile Solar Container is a mobile solar solution based on a ...



## ENERGY STORAGE CABINET SIZE AND CONTAINER SIZE

Solar container cabinet size standard specification Standard options, typically found on the market, range in height from 1 meter to over 3 meters. Width can swing from 0.5 meters to 1.5 meters, and ...



Application scenarios of energy storage battery products



## Home Solar Energy Storage Cabinet-Style Systems

HighJoule's Home Solar Energy Storage Cabinet-Style Systems offer efficient, reliable, and scalable solar storage solutions for residential homes. Maximize solar energy usage, reduce energy bills, and ...

## What is the size of a household energy storage cabinet?

When it comes to technical specifications, dimensions for household

energy storage systems vary widely based on capacity and technology. Typically, units can be categorized by ...



## Contact Us

---

For catalog requests, pricing, or partnerships, please visit:  
<https://espay.es>

