

**Espay Solar Energy S.L.**

# **How big an inverter should a 70kW solar power station use**



## How big an inverter should a 70kW solar power station use

Solar

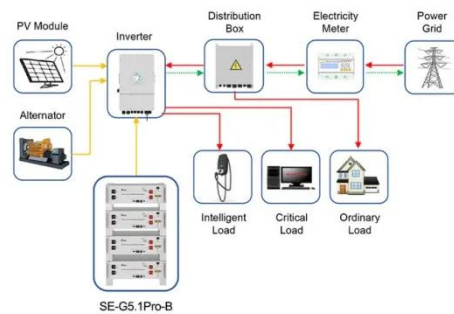


### Solar Inverter Sizing Guide: How to Size Your Inverter

Learn how to properly size your solar inverter with our complete guide. Discover the optimal DC-to-AC ratio and avoid costly sizing mistakes.

### How To Size A Solar Inverter in 3 Easy Steps

What size solar inverter should you use for your system? In this guide we share how to correctly size a solar inverter in 3 steps.



Application scenarios of energy storage battery products



### How to Size an Inverter for a Solar System , What Steps to Follow

Sizing a solar inverter correctly depends primarily on your PV system's rated capacity and layout. However, several other variables must also be factored into the calculations. Here is the step ...

### Inverter Size Calculator - self2solar

Determining the correct inverter size depends on your solar array's capacity and your household's power needs. Generally, the inverter should be sized to match about 80-100% of your ...

CE UN38.3 MSDS



## What Size Solar Inverter Do I Need? A Quick Sizing Guide

This guide will walk you through an easy, step-by-step process to accurately size your inverter, avoid common pitfalls, and highlight how our Lefor Solar Inverter Series can fit your specific needs.

## Inverter Sizing Calculator

How to use this calculator: Enter your solar array capacity and load requirements to determine optimal inverter size.



## How to Choose the Right Size Solar Inverter: Step-by-Step with Real

This guide walks you through calculating inverter size based on panel capacity, power usage, and safety margins. We use real examples from installations in

Texas and Queensland to ...



## What Size Solar Inverter Do I Need? Experts Break It Down

What Size Solar Inverter Do I Need? A solar inverter should closely match your solar system's output in kW--typically within 80% to 120% of your total panel capacity.



## How To Size A Solar Inverter in 3 Easy Steps

This guide will walk you through an easy, step-by-step process to accurately size your inverter, avoid common pitfalls, and highlight how our Lefor Solar Inverter ...

## Solar Inverter Sizing Calculator: Important Guide

This comprehensive guide will walk you through solar inverter sizing, explain its importance, and help you understand how to use a solar inverter sizing

calculator effectively.



## How big an inverter should a photovoltaic power station use

How big an inverter should a photovoltaic power station use How do I choose a solar inverter size? To calculate the ideal inverter size for your solar PV system, you should consider the ...

## Contact Us

For catalog requests, pricing, or partnerships, please visit:  
<https://espay.es>

