

Espay Solar Energy S.L.

Hospital Energy Storage Container 2MWh 2026 Model



Hospital Energy Storage Container 2MWh 2026 Model



2MWh Energy Storage Container System

Integrated Energy Storage Container: Designed as a 40-foot non-walk-in container with a highly integrated and modular internal structure. This design facilitates transportation, installation, and ...

Emergency Hospital Solar Container lithium battery Energy storage

Emergency Hospital Solar Container Lithium Battery Energy Storage Power Station 215kwh 500kwh 800kwh 1mwh 1.5mwh 2mwh 2.5mwh, Find Complete Details about Emergency Hospital Solar ...



How to Choose the Best 2MWh Battery Energy Storage System: ...

Learn what to look for in a 2MWh battery energy storage system, from key specs and types to pricing, safety, and top buying tips.



Container Energy Storage System

A high-performance, all-in-one, containerized battery energy storage system developed by Mate Solar, provides C& I users with the intelligent and reliable solution to optimize energy

...



2MWH Container Battery Energy Storage System

The HMX-BESS-10002000 represents the latest innovation in container battery energy storage system technology, designed to meet diverse energy storage requirements across multiple industries.

215KWh-2MWh Container Battery Energy Storage System BESS

The Liyue Container Energy Storage System Module is a versatile and robust solution for large-scale energy storage needs, offering flexibility, reliability, and high performance in a compact, ...



2MWH Containerized Solar Battery Storage System

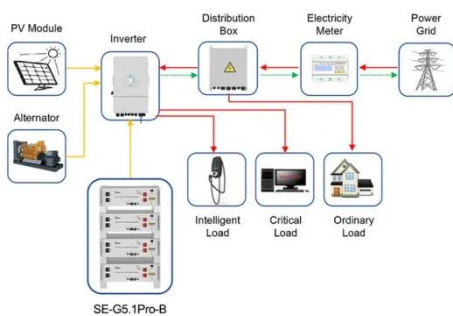
Polinovel 2MWH commercial energy storage system (ESS) is tailored for high-capacity power storage, ideal for large-scale renewable energy generation, PV

self-consumption, off-grid ...



Energy storage container, BESS container

SCU provides 500kwh to 2mwh energy storage container solutions. Power up your business with reliable energy solutions. Say goodbye to high energy costs and hello to smarter ...



Application scenarios of energy storage battery products

2MWh Energy Storage Container System

HJ-G1000-2200F 2MWh Energy Storage Container System is a highly efficient and comprehensive energy storage system. It adopts an integrated design and provides stable and flexible energy ...

Ess Lithium Ion Battery Storage Container 250kw 500kwh 1mwh 2mwh ...

Ess Lithium Ion Battery Storage Container 250kw 500kwh 1mwh 2mwh

Hybrid System, Find Details and Price
about Battery Energy Storage Container
LiFePO4 Battery from Ess Lithium ...



Contact Us

For catalog requests, pricing, or partnerships, please visit:
<https://espay.es>

