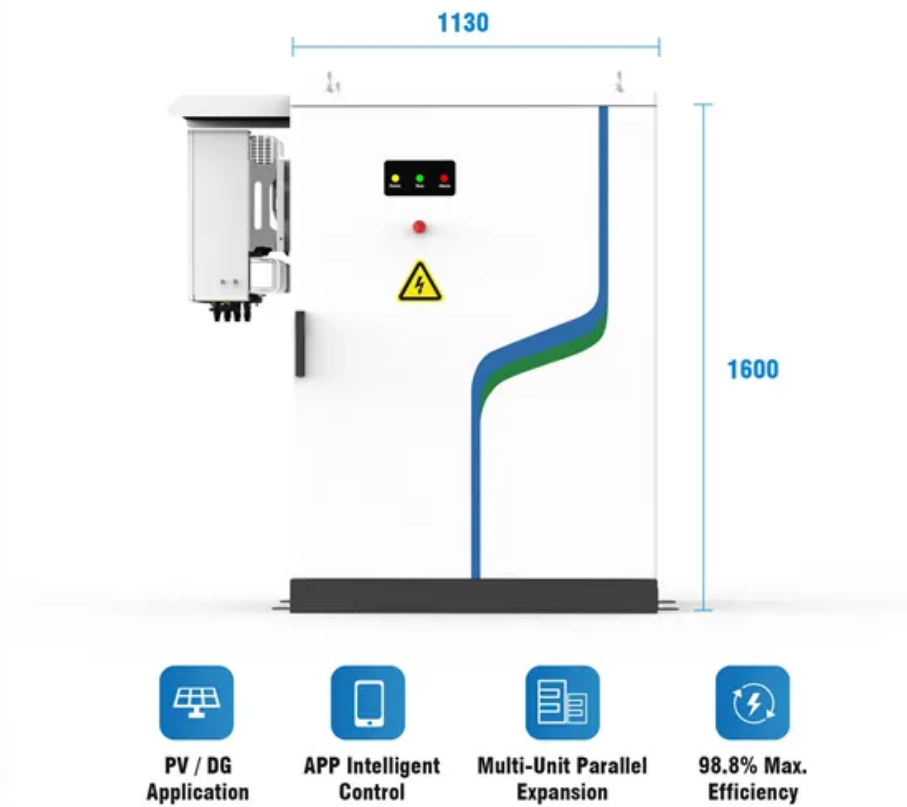
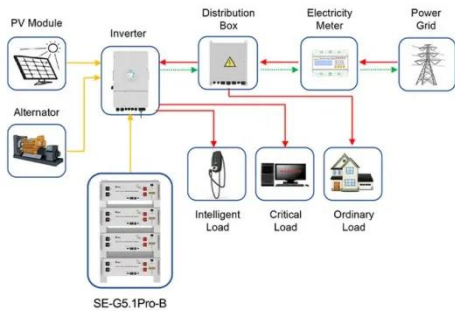


**Espay Solar Energy S.L.**

# Guinea Mobile Power Station



## Guinea Mobile Power Station



Application scenarios of energy storage battery products

### Guinea's power infrastructure and resources map , African Energy

Below the map three charts show a breakdown of Guinea's operating, under construction and planned power generation capacity, world bauxite reserves and world bauxite and alumina ...

### Guinea Power Plants

List of power plants in Guinea from OpenStreetMap



### Guinea's electricity surge: powering local small businesses and ...

The Linsan-Boke-Kaletta section and its dispatching center now deliver clean energy not only across Guinea but also to neighboring countries including Guinea-Bissau, The Gambia and Senegal.

### Guinea's power infrastructure and

## regional connections

The main map shows the locations of power generation facilities that are operating, under construction or planned are shown by type - including liquid fuels, hybrid, other thermal, ...



## Energy storage power station in Guinea

The power station, with a 300MW system, is claimed to be the largest compressed air energy storage power station in the world, with highest efficiency and lowest unit cost as well.

## List of power stations in Guinea

This page lists the main power stations in Guinea contributing to the public power supply. There are also a number of private power plants supplying specific industrial users such as mines and refineries.



## Contact Us

For catalog requests, pricing, or partnerships, please visit:  
<https://espay.es>

