

Espay Solar Energy S.L.

Features and applications of solar double-glass modules



Features and applications of solar double-glass modules

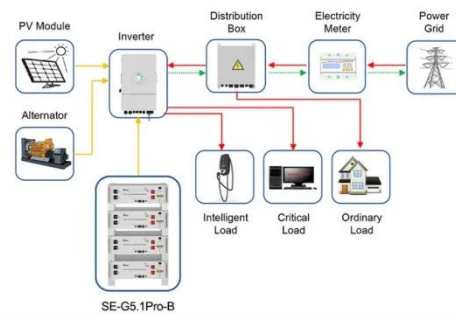


Single-glass versus double-glass: a deep dive into module reliability

Double-glass modules, with their performance in the face of salt mist, high temperatures and high humidity, have won the market's favour. However, this trend is not without its risks.

2025 Complete Guide to Glass-Glass Solar Panels: The Top Choice ...

From residential rooftops to large-scale solar farms and innovative architectural designs, dual-glass solar panels offer durability, high efficiency, and versatile design compatibility--making ...



Application scenarios of energy storage battery products



Double the strengths, double the benefits

In the ever-evolving world of photovoltaic technology, double glass solar modules are emerging as a game-changer. By encapsulating solar cells between two layers of glass, these ...

Double Glass Photovoltaic Panels: Benefits, Applications, and Industry

Summary: Double glass photovoltaic panels are revolutionizing solar energy systems with enhanced durability, higher efficiency, and broader applications. This article explores their advantages, real ...



Double glass solar module , Maysun Solar

Compared to traditional single glass modules, double glass modules offer significant advantages, particularly in terms of efficiency and durability. The rear glass layer can absorb reflected light, ...

What is the Double Glass (Dual Glass) Photovoltaic Solar Panel?

Glass-glass module structures (Dual Glass or Double Glass) is a technology that uses a glass layer on the back of the modules instead of the traditional polymer backsheet.



Advantages of Double-Glass Solar Panels and Analysis of Their Applications

Double glass solar panels are a solar power generation technology that

utilizes double-layer glass to encapsulate solar cells for electricity generation. They offer advantages such as high ...



2025 Guide to Dual-Glass Solar Modules: When Premium Panels ...

Complete guide to dual-glass solar panels: applications, benefits, costs & limitations. Learn when this premium technology provides genuine value vs conventional panels.



Sample Order
UL/KC/CB/UN38.3/UL



What does double glass solar panel mean? , NenPower

Double glass solar panels represent a transformative shift in solar energy technology, combining resilience and efficiency. Their unique construction offers distinct advantages over ...

What are double-glass solar panels? , NenPower

Double-glass solar panels represent a remarkable stride in solar technology, offering benefits that extend well beyond their conventional counterparts. The

emphasis on durability, ...



Contact Us

For catalog requests, pricing, or partnerships, please visit:
<https://espay.es>

