

**Espay Solar Energy S.L.**

# **Energy storage function of high voltage cabinet**

**LPW48V100H  
48.0V or 51.2V**



## Overview

---

These sophisticated enclosures are designed to safely house and manage large battery modules, forming the backbone of reliable energy storage. High voltage energy storage cabinets serve essential roles in modern energy systems, particularly for renewable energy integration and industrial applications. These cabinets provide safe storage solutions for high-voltage electricity, enhancing system reliability. As renewable energy adoption skyrockets (we're looking at you, solar farms!), these cabinets have become crucial for stabilizing grids. A BESS cabinet is an industrial enclosure that integrates battery energy storage and safety systems, and in many cases includes power conversion and control systems. FFD POWER focuses on C&I on-grid / . equate grid power during high-demand periods. ly depending on specific system requirements.

## Energy storage function of high voltage cabinet

---



### Energy storage function of high voltage cabinet

This paper presents a comprehensive review of the most popular energy storage systems including electrical energy storage systems, electrochemical energy storage systems, ...

### What are the functions of high-voltage energy storage cabinets

The CAES and PHES are suitable for centered energy storage due to their high energy storage capacity. The battery and hydrogen energy storage systems are perfect for distributed energy storage.



### High-Voltage Energy Storage Cabinets: Powering the Renewable

...

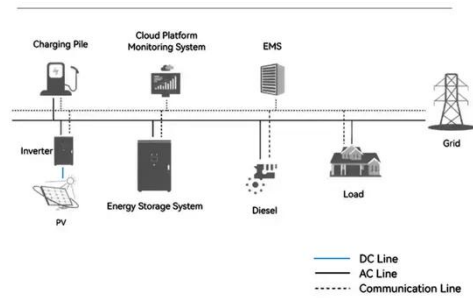
High-voltage energy storage cabinets (typically operating at 800V-1500V) have emerged as the backbone of modern grid resilience, offering 15-20% higher efficiency than conventional systems.



## BESS CABINET

A BESS cabinet (Battery Energy Storage System cabinet) is no longer just a "battery box." In modern commercial and industrial (C& I) projects, it is a full energy asset --designed to reduce electricity ...

**System Topology**

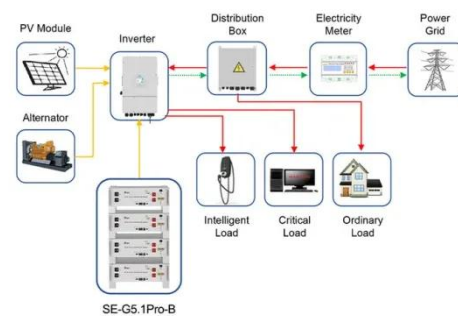


**High Voltage Battery Cabinet: Efficient Energy Storage**

A High Voltage Battery Cabinet serves as the reservoir that makes green energy practical and reliable. It captures surplus energy generated during peak sunlight or strong winds and stores it ...

**High Voltage Battery Cabinet , Secure Energy Storage**

They are ideally suited for High Capacity Battery Storage, delivering reliable power backup in demanding settings such as manufacturing plants, data centers, and off-grid sites. In remote areas, ...



Application scenarios of energy storage battery products

**What is the function of high voltage energy storage cabinet?**

High voltage energy storage cabinets are specialized systems that store electricity at elevated voltage levels.



These cabinets utilize advanced technology to manage energy storage and ...

---

### **Energy Storage Function of High Voltage Cabinet: Powering ...**

Enter the energy storage function of high voltage cabinets - the unsung heroes of modern power systems. As renewable energy adoption skyrockets (we're looking at you, solar farms!), these ...



---

### **How does a high voltage energy storage cabinet deliver power?**

High voltage energy storage cabinets enable organizations to store energy at off-peak rates and discharge it during peak demand, significantly reducing electricity bills.

---

### **High voltage cabinet energy storage operation**

High-voltage switchgear is a crucial component of electrical power systems, used for switching, controlling, or protecting functions during power

generation, transmission, distribution,  
and



---

## Contact Us

---

For catalog requests, pricing, or partnerships, please visit:  
<https://espay.es>

