

**Espay Solar Energy S.L.**

# **Circuit breaker amps in China in Poland**



## Overview

---

Find and discover Circuit Breaker manufacturers and suppliers for all products in Poland, featuring details on their shipment activities, trade volumes, trading partners, and more. Verifying the supplier's. TAIXI Electric manufactures a wide range of plugs and sockets, including plugs and sockets with leakage protection. Subscribe to global trade data intelligence to discover. Market Forecast By Insulation Type (Vacuum Circuit Breaker, Air Circuit Breaker, Gas Circuit Breaker, Oil Circuit Breaker), By Voltage (Medium Voltage, High Voltage), By Installation (Indoor, Outdoor), By End User (T&D Utilities, Power Generation, Renewables, Railways) And Competitive Landscape In. This report presents a comprehensive overview of the Polish fuses market, the impact of COVID-19 on it, and a forecast for the market development in the medium term. The report provides a strategic analysis of the fuses market in Poland and describes the main market participants, growth and demand.

## Circuit breaker amps in China in Poland

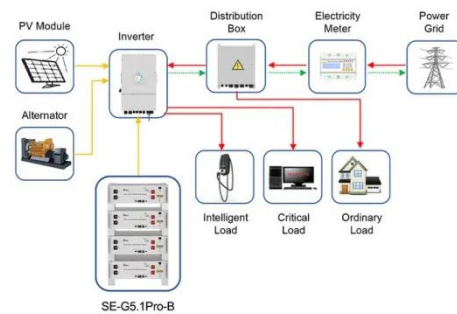


### "Circuit Breaker"

Searching for circuit breakers? In the business search engine SJN you find products and services from manufacturers, suppliers, importers, exporters and distributors.

### "Circuit Breaker"

How can I find a reliable supplier for circuit breakers in China? Discover the perfect Circuit Breaker addition with our Circuit Breaker. To locate a reliable supplier in China, utilize industry websites, ...



Application scenarios of energy storage battery products



- Voltage range: 691.2-947.2V
- >6000 cycles (100%DOD)
- Rated battery capacity: 216KWH (customizable)
- EMS communication: 4G/CAN/RS485

### Poland: Circuit Breakers Market Report

This report analyzes the Polish circuit breakers market and its size, structure, production, prices, and trade. Visit to learn more.

## Poland's Circuit Breaker Market Report 2024

The Czech Republic (X units), Hungary (X units) and China (X units) were the main suppliers of circuit breaker imports to Poland, with a combined X% share of total imports.



### China Circuit Breaker Manufacturers

TAIXI specializes in the production of Circuit Breakers, contactor, distribution box, switch and other products.

### Circuit Breaker Manufacturers & Suppliers in Poland , Trademo

Find and discover Circuit Breaker manufacturers and suppliers for all products in Poland, featuring details on their shipment activities, trade volumes, trading partners, and more.



### Who supplies circuit breakers in Poland? Manufacturers and suppliers ...

Searching for circuit breakers? In the business search engine SJN you find products and services from

manufacturers, suppliers, importers, exporters and distributors.



---

## Poland Circuit Breaker Market (2022)

Poland Circuit Breaker Market: Import Trend Analysis In 2024, Poland import trend for the circuit breaker market experienced a -5.44% decline from the previous year, with a compound annual growth rate ...



---

## China Circuit Breakers

Shop high-quality China circuit breakers for reliable electrical protection. Find durable, affordable, and efficient solutions from leading manufacturers.



---

## Circuit Breakers , Farnell Poland

Buy Circuit Breakers. Farnell Poland offers fast quotes, same day dispatch, fast delivery, wide inventory, datasheets & technical support.



### **ZENEX Sp. z o.o. EN**

Our company is one of the few in Poland involved in the adaptation and sale of low-voltage circuit breakers in the field: To meet the expectations of our existing and future customers we have invested

...

## **Contact Us**

For catalog requests, pricing, or partnerships, please visit:  
<https://espay.es>

