

Espay Solar Energy S.L.

Canadian Solar



Canadian Solar

MAKING THE DIFFERENCE TO EVERY LIFE WE TOUCH



BRIGHT FUTURE WITH UNIVERSITY PARTNERSHIP SOLAR IMPROVES MEDICAL CARE FOR THE POOREST IN SIERRA LEONE JORDAN'S ZA'ATARI SOLAR PARK MAKES THE DIFFERENCE ...

PRODUCTS FOR RESIDENTIAL - Canadian Solar - Global

ABOUT US PRODUCTS AND SOLUTIONS
SOLAR PLANTS INVESTORS CONTACT US
E-SHOP DOWNLOADS Select your region
Downloads



Canadian Solar takes control of US solar manufacturing ...

Shifting its assets to North American ownership and away from the company's significant presence in China will likely position Canadian Solar well ...

ABOUT US - Canadian Solar - Global

Since entering the project development business in 2010, Canadian Solar has developed, built, and connected over 15.7 GWp of solar power projects and 6 GWh of battery energy storage projects ...



CSIQ Stock Price , Canadian Solar Inc. Stock Quote (U.S.: Nasdaq

CSIQ , Complete Canadian Solar Inc. stock news by MarketWatch. View real-time stock prices and stock quotes for a full financial overview.

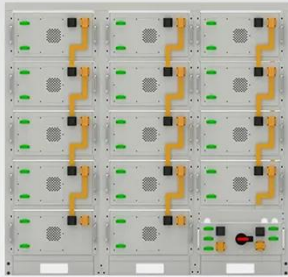
CSIQ: Canadian Solar Inc Latest Stock Price, Analysis, ...

Get real-time Canadian Solar Inc (CSIQ) stock price, news, financials, community insights, and trading ideas. Join 10 million+ investors and traders tracking ...



CSI Solar - North America

Dr. Shawn Qu, Chairman, President and Chief Executive Officer founded Canadian Solar (NASDAQ: CSIQ) in 2001 in Canada, with a bold mission: to foster sustainable development and to create a



Battery String-S224

- 1C Charge/Discharge
- Easy configuration and maintenance
- Power supply can be single battery string or parallel battery strings

...

Corporate Profile , Canadian Solar Inc.

Founded in 2001 and headquartered in Kitchener, Ontario, the Company is a leading manufacturer of solar photovoltaic modules; provider of solar energy and battery energy storage solutions; and ...



Canadian Solar consolidates U.S. manufacturing under ...

Canadian Solar Inc. has announced today that it is restructuring its United States operations, resuming direct control over its manufacturing assets ...

Canadian Solar: Growth Under Pressure In A Slowing Market

Canadian Solar Inc. has lower 2025 guidance and high debt with a C\$3.1B battery storage backlog through 2026.

Find out why CSIQ stock is a hold.




Canadian Solar Prices Offering of US\$200 Million Convertible Senior

Since entering the project development business in 2010, Canadian Solar has developed, built, and connected approximately 12 GWp of solar power projects and 6 GWh of battery energy ...

Canadian Solar - Global

Under Dr. Qu's leadership, we have grown into one of the world's largest solar photovoltaic products and energy solutions providers, as well as one of the largest solar power plant developers globally.

LiFePO ₄ Battery, safety	
Wide temperature: -20~55°C	
Modular design, easy to expand	
Wall-Mounted&Floor-Mounted	
Intelligent BMS	
Cycle Life:> 6000	
Warranty:10 years	

Canadian Solar Reports First Quarter 2025 Results

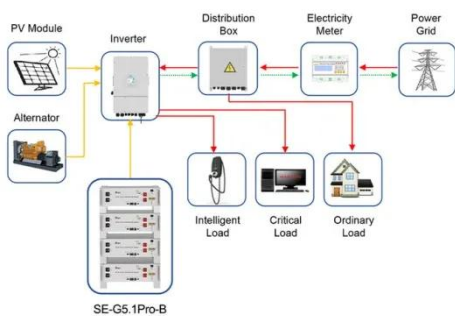
Canadian Solar is one of the most bankable companies in the solar and renewable energy industry, having been publicly listed on the NASDAQ since

2006. For additional information ...



Overview of Canadian Solar Group

Established in Canada in 2001, Canadian Solar Inc. is one of the world's solar technology and renewable energy companies. Canadian Solar comprehensively ...



Application scenarios of energy storage battery products

Canadian Solar (NASDAQ:CSIQ) shareholders YoY returns are ...

Canadian Solar Inc. (NASDAQ:CSIQ) shareholders have seen the share price descend 25% over the month. While that might be a setback, it doesn't negate the nice returns received over the last twelve

Canadian Solar to Resume Direct Oversight of U.S. Manufacturing ...

Canadian Solar, headquartered in Kitchener, Canada, will hold a 75.1% controlling stake in CS PowerTech, which

will operate U.S. -based manufacturing and sales of solar modules, solar cells, ...



Canadian Solar

Canadian Solar is a public company that manufactures solar PV modules, provides energy storage solutions and develops solar projects. Founded in 2001 in Ontario, Canada, it has operations in 23 ...

Contact Us

For catalog requests, pricing, or partnerships, please visit:
<https://espay.es>

