

Espay Solar Energy S.L.

Can Japan install solar panels



Overview

All new detached houses in Tokyo after April 2025 are required to have solar panels installed. However, if you are purchasing a property in a different part of Japan, it's possible that solar panels may not be mandated in the region. If you're planning to get a new house or are considering getting solar panels, this guide will provide you with the essential information to help you. To encourage the generation of renewable energy, the Tokyo Metropolitan Government introduced a regulation mandating the installation of solar panels on the roofs of new detached buildings starting in April 2025. The new regulation, which also covers larger apartment and commercial buildings, marks a significant step in the country's efforts to. Plug-in PV systems, however, allow residents of rental housing and multi-family dwellings—those without rooftop rights—to generate their own solar power without complicated procedures. This directive is a key part of the city's comprehensive strategy to achieve net-zero carbon emissions by 2050.

Can Japan install solar panels

Tokyo's new solar panel mandate: 'Can Japan avoid Germany's solar



To encourage the generation of renewable energy, the Tokyo Metropolitan Government introduced a regulation mandating the installation of solar panels on the roofs of new detached ...

Tokyo Starts Mandatory Solar Panels for New Houses

Tokyo has made it mandatory to install solar panels on newly built houses starting April 1st, as part of its broader effort to halve greenhouse gas emissions by 2030.

LIQUID COOLING ENERGY STORAGE SYSTEM

EMS real-time monitoring
No container design
flexible site layout



Cycle Life
≥ 8000

Nominal Energy
200kwh

IP Grade
IP55



Japan may end support for major solar-power projects

Japan's government is considering ending support for new major solar-power generation projects from fiscal 2027. This comes amid growing concerns about the impact such plants have on ...

Tokyo Solar Panel Mandate for New

Buildings Starting in 2025

Learn about Tokyo's landmark solar panel mandate for new homes, set for April 2025. This news is key to Japan's goals for building energy efficiency and net-zero emissions.

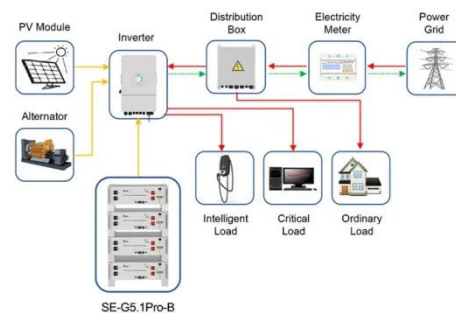


Plug-in Solar Systems: Global Expansion and the Status in Japan

Until now, installing solar panels at home was a privilege limited to detached homeowners. Plug-in PV systems, however, allow residents of rental housing and multi-family dwellings--those ...

Tokyo Becomes the First in Japan to Mandate Solar Panel Installation ...

A new system requiring the installation of solar panels on newly built homes in Tokyo took effect on Ap. Tokyo has implemented an ordinance mandating the installation of solar panels on newly ...



Application scenarios of energy storage battery products

Solar Panel Installation Guide in Japan: Costs & Incentives

Learn everything about solar panel installation in Japan: costs, regulations,

energy savings, and government incentives for homes and apartments.



Tokyo, Kawasaki require solar panels on newly built homes

Japan's first local regulation requiring solar panel installations on new single-family homes took effect on April 1 in Tokyo and Kawasaki in Kanagawa Prefecture.



Global Solar Council , 'No time to waste': Tokyo makes solar panels

Nearly all houses in Tokyo will have to install solar panels after April 2025. The regulation - passed by the Japanese capital's local assembly on Thursday - requires 50 major construction ...

What You Need to Know About Tokyo's Solar Panel Installation ...

On April 1, the Tokyo Metropolitan Government implemented a new regulation mandating the installation of solar power systems and energy-saving

measures in new residential buildings.



Contact Us

For catalog requests, pricing, or partnerships, please visit:
<https://espay.es>

