

Espay Solar Energy S.L.

Burkina Faso Solar Energy Storage Container Scalable



Overview

The initiative centers on providing innovative solar container solutions to deliver much-needed off-grid power to communities, boosting energy access and fostering sustainable local development. This article explores how containerized BESS solutions address grid instability, support solar integration, and empower industries – all while aligning with SDG 7. Electricity access remains a challenge for the majority of the West African countries, wherein 5 out of 16 have an electrification rate of less than 25%, with Burkina Faso having only 9% of the rural population. Burkina Faso faces acute energy challenges: only 21% of its rural population has access to electricity, while cities struggle with frequent power outages. The project is earmarked to deliver 150MWp of solar PV power integrated with a 50MW battery energy storage system (BESS). The Government of Burkina Faso has signed a Public-Private Partnership (PPP) agreement with a local developer and a Dutch clean energy investment firm to develop a major solar park. The solar park is located in the village of Zina, in the north of Burkina Faso, approximately 185 kilometres (115 mi) from the country's capital city.

Burkina Faso Solar Energy Storage Container Scalable



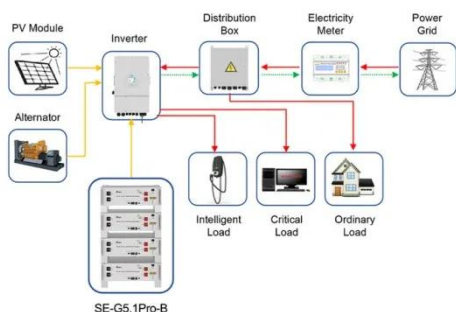
Modular design,
unlimited combinations in parallel
BUILT-IN DUAL FIRE PROTECTION MODULE

BURKINA FASO ENERGY STORAGE CONTAINER PRODUCTION

The study investigates the heat transport characteristics of the solar power tower station with thermal energy storage, which serves as a peak regulation source in the grid.

Burkina Faso Container Energy Storage System Powering ...

Burkina Faso faces acute energy challenges: only 21% of its rural population has access to electricity, while cities struggle with frequent blackouts. Container energy storage systems (ESS) offer a ...



Application scenarios of energy storage battery products

BURKINA FASO ENERGY STORAGE CONTAINER PRODUCTION

Burkina Faso Smart Photovoltaic Energy Storage Container 100kWh Electricity access remains a challenge for the majority of the West African countries, wherein 5 out of 16 have an electrification ...

Powering Burkina Faso s Future

Energy Storage Container BESS ...

This article explores how containerized BESS solutions address grid instability, support solar integration, and empower industries - all while aligning with global sustainability goals.



New Energy Storage Solutions in Burkina Faso: Powering a ...

Summary: Discover how Burkina Faso is embracing innovative energy storage technologies to stabilize its renewable energy grid, reduce energy poverty, and create business opportunities in West Africa's ...

NEW ENERGY STORAGE SOLUTIONS IN BURKINA FASO ...

The global solar storage container market is experiencing explosive growth, with demand increasing by over 200% in the past two years. Pre-fabricated containerized solutions now account for ...



Burkina Faso solar energy: Unique GIZ Project Targets 2024

Housed within standard shipping containers, they come pre-assembled



with photovoltaic panels, battery storage, and control systems. This "power in a box" design allows for rapid, flexible, ...

Solar Energy Storage in Burkina Faso: Current Trends and Future

With over 2,500 hours of annual sunlight, Burkina Faso has immense potential for solar power generation. However, the country's energy storage infrastructure remains underdeveloped, limiting ...



Burkina Faso: PPP to develop solar energy, battery storage project

The Government of Burkina Faso has signed a Public-Private Partnership (PPP) agreement with a local developer and a Dutch clean energy investment firm to develop a major solar ...



Powering Burkina Faso's Future: Energy Storage Container (BESS)

As Burkina Faso aims to achieve 50% renewable energy by 2030, BESS containers aren't just an option - they're

the missing puzzle piece. From stabilizing urban grids to powering remote clinics, these ...



Contact Us

For catalog requests, pricing, or partnerships, please visit:
<https://espay.es>

