

Espay Solar Energy S.L.

British energy storage power supply customization



British energy storage power supply customization



The Rise of British Energy Storage Power Supply Chassis: Powering

Enter energy storage power supply chassis - the unsung heroes keeping our national grid from behaving like a overworked pub kitchen during Friday fish fry hours.

Multi Source Power

Whatever your energy storage needs are we can engineer the right solution. Give us a call to discover our flexible systems with low EPC costs and minimal OPEX for any situation.

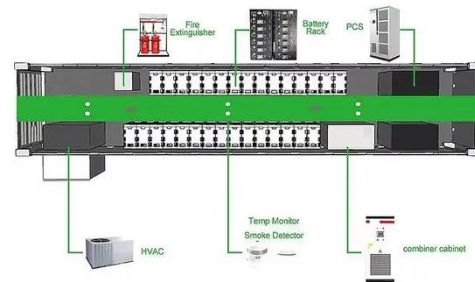


Which suppliers are driving Britain's storage revolution?

Data published last year by Modo Energy provided an insight into the major suppliers that are dominating the GB market.

UK Customer Installs 60 KWh Energy Storage Solution in Garage, ...

In April 2025, a UK homeowner chose to collaborate with GSL ENERGY, an energy storage battery manufacturer, to install a 60kWh wall-mounted energy storage system in their ...



UK Battery Energy Storage System: A Complete Guide for 2024

From massive grid scale batteries to smaller units paired with EV chargers, these systems are the essential building blocks of a modern, resilient energy network. Understanding what ...

OEM Custom Energy Storage Solutions by LondianESS

Investing in OEM-customized energy storage systems from LondianESS ensures higher efficiency, reliability, and long-term savings compared to generic solutions. Whether for utility-scale projects, ...



british household energy storage battery chassis customization

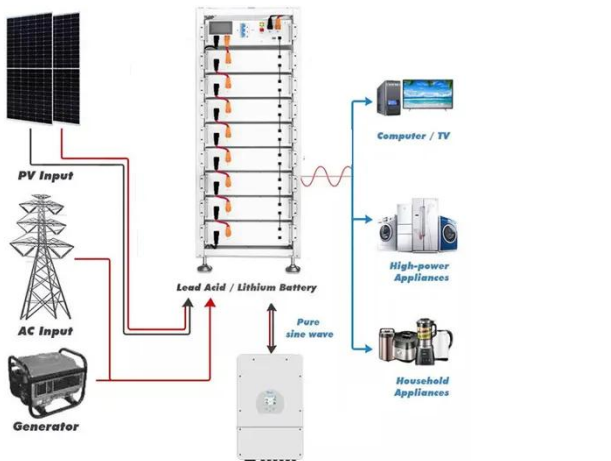
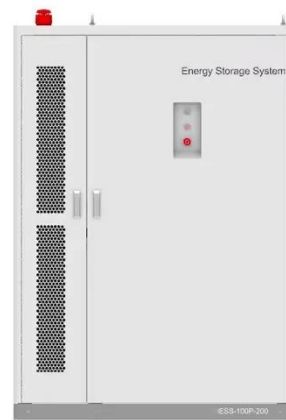
This comprehensive article examines and compares various types of batteries used for energy storage, such as lithium-



ion batteries, lead-acid batteries, flow batteries, and sodium-ion

Custom Power Lithium Battery Packs, Portable Power & Energy Storage

Custom Power designs and manufactures high power custom lithium battery packs, energy storage systems and portable power solutions for critical applications.



British energy storage mobile power supply

Long-duration energy storage could save the UK power system billions of pounds as the country seeks reliable backup supply amid a push to expand offshore wind, according to

Battery energy storage systems , BESS Facilities , BayWa r.e.

We combine this experience with deep knowledge of the UK and Irish energy

markets to deliver projects that secure and balance grids. Developments like that at Scurf Dyke and Redshaw Energy Park are ...



Contact Us

For catalog requests, pricing, or partnerships, please visit:
<https://espay.es>

