

**Espay Solar Energy S.L.**

# **Brasilia uninterruptible power supply wholesale solar energy storage cabinet price**



## Brasilia uninterruptible power supply wholesale solar energy storage



### Brazil Uninterrupted Power Supplies (UPS) Market Overview, 2029

The Brazilian Uninterruptible Power Supply (UPS) market is undergoing a metamorphosis unlike any other. While global trends highlight data centers and IT infrastructure as primary drivers, ...

### Brazil Energy Storage Market 2026: Trends, Policies, and How to Buy

A complete 2026 guide to Brazil's commercial & industrial energy storage market. Learn policies, PDE 2034 trends, ANEEL regulations, 100-241 kWh system selection, 2 MW parallel ...



### Brasilia Energy Storage Power Supply Price Trends and Cost Analysis

Summary: This article explores the factors influencing energy storage power supply prices in Brasilia, including market trends, technology comparisons, and regional policies.



### Brazil Uninterruptible Power Supply

## (UPS) Market , Volume 2031

As per 6Wresearch, Brazil Uninterruptible Power Supply (UPS) Market size is anticipated to reach at a CAGR of 4.7% during the forecast period (2025-2031). The Brazil Uninterruptible Power Supply ...







**12.BV6Ah**

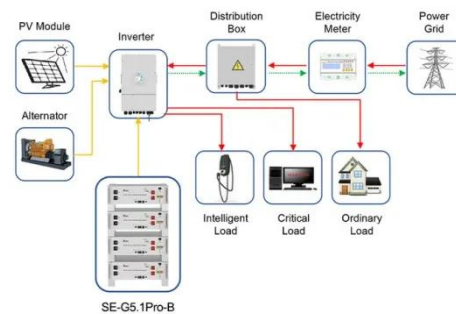
Nominal voltage (V):12.8  
 Nominal capacity (Ah):6  
 Rated energy (WH):76.8  
 Maximum charging voltage (V):14.6  
 Maximum charging current (A):6  
 Floating charge voltage (V):13.6~13.8  
 Maximum continuous discharge current (A):10  
 Maximum peak discharge current @10 seconds (A):20  
 Maximum load power (W):100  
 Discharge cut-off voltage (V):10.8  
 Charging temperature (°C):0~+50  
 Discharge temperature (°C):-20~+60  
 Working humidity: <95% R.H (non condensing)  
 Number of cycles (25 °C, 0.5C, 100%doD): >2000  
 Cell combination mode: 32700-4s1p  
 Terminal specification: T2 (6.3mm)  
 Protection grade: IP65  
 Overall dimension (mm):50\*70\*107mm  
 Reference weight (kg):0.7  
 Certification: un38.3/msds

## Brasilia Solar Energy Storage Modules: Pricing Trends and Market

Discover how solar energy storage costs in Brasilia are evolving and what factors drive pricing for residential, commercial, and industrial applications.

## Where to Buy Uninterruptible Power Supply (BESS) in Brasília: A

Looking for reliable Battery Energy Storage Systems (BESS) in Brasília? This guide explores top solutions for homes and businesses, compares local suppliers, and reveals why EK SOLAR stands ...



Application scenarios of energy storage battery products

## Where to Get Uninterruptible Power Supply in South America: Top

South America's growing industrial and renewable energy sectors are driving demand for reliable uninterruptible

power supply (UPS) solutions. This guide explores the best suppliers, regional trends, ...



---

## Brazil UPS Uninterruptible Power Supply Manufacturers: Powering

Brazil's dynamic industrial landscape demands UPS systems that do more than just backup power - they need to be resilient partners in growth. By focusing on local adaptation and smart technology, ...



---

## Contact Us

For catalog requests, pricing, or partnerships, please visit:  
<https://espay.es>

