

**Espay Solar Energy S.L.**

# Bahamas load shifting



## Overview

---

Bahamas Power and Light Company announced yesterday that rotational load shedding on Cat Island has ended after more than two weeks. Pedro Marcello, BPL's Family Regional Island Manager, said the load shedding—which began on August 11 and lasted 16 days—has been discontinued. All four generation. NASSAU, BAHAMAS - Residents in Central and South Abaco and the Abaco Cays are expected to experience load shedding throughout the day as Bahamas Power and Light works to restore two units that malfunctioned around 5:00 a. Wednesday which led to a blackout. Residents took to Facebook to voice. Officials from the Grand Bahama Port Authority meet with officials from the Grand Bahama Power Company. # "Late last week and over the weekend, we experienced.

## Bahamas load shifting

---



### **BPL COO: No major load shedding on NP this summer so far**

Bahamas Power and Light's (BPL) Chief Operating Officer Anthony Christie said yesterday that the company has not dealt with any major load shedding on New Providence this ...

---

### **BPL: 'Load shedding in Long Island ceased' , Eyewitness News ...**

Chief Executive Officer at Bahamas Power and Light Tony Seymour revealing that load shedding on Long Island is completed this following a number of operational challenges at the power ...



---

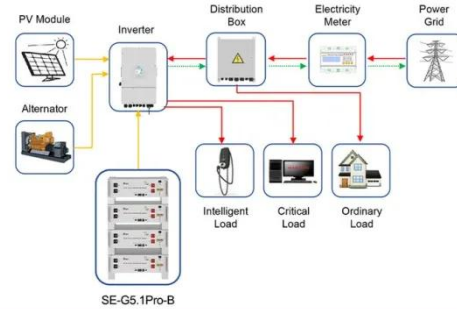
### **BPL confirms load shedding exercises in New Providence**

BAHAMAS Power and Light confirmed yesterday that it started load-shedding exercises because of challenges to several power stations in New Providence.

---

**The Daily Herald**

The power company said ongoing challenges with its largest generator at its Peel Street power station created a temporary supply issue, leading to load shedding. "We are actively working ...



Application scenarios of energy storage battery products

Support any customization

- Inkjet
- Color label
- LOGO



**BPL Load Shedding Update**

Bahamas Power and Light (BPL) released a statement on May 19th after experiencing a shortfall in power generation. In the statement BPL announced the commencement of load shedding ...

**Aug- Bahamas Power and Light Company**

Press Release BPL Ends Rotational Load Shedding on Cat Island; Full Restoration in Progress Aug· Nassau, The Bahamas Rotational load shedding on Cat Island ended at ...



**Cat Island load shedding ended after two weeks, says BPL**

Bahamas Power and Light Company announced yesterday that rotational load shedding on Cat Island has ended after more than two weeks. Pedro

Marcello, BPL's Family Regional Island ...



---

### **Full Power Restored on Cat Island Following Swift BPL Response, ...**

Bahamas Power and Light Company Ltd. (BPL) is pleased to announce that rotational load shedding on Cat Island officially ended at 2:55 AM on Tuesday, August 26, marking a major ...



### **Long Isl. hit with load shedding , News , thenassauguardian**

Long Islanders were hit with load-shedding over the last few days after Bahamas Power and Light (BPL) said key generation components failed on the island.

---

### **BPL working to address power generation failure in parts of Abaco**

NASSAU, BAHAMAS - Residents in Central and South Abaco and the Abaco Cays are expected to experience load shedding throughout the day as

Bahamas Power and Light works to ...

**DETAILS AND PACKAGING**



- 1 USER MANUAL PDF
- 2 RJ45 Cable For RS485/CAN
- 3 Battery in Parallel Cables
- 4 RJ45 TO USB Monitor Cable
- 5 M8 Terminal\*4

**Contact Us**

For catalog requests, pricing, or partnerships, please visit:  
<https://espay.es>

