

**Espay Solar Energy S.L.**

# **Asmara walk-in energy storage cabinet installation**



## Asmara walk-in energy storage cabinet installation

---

### ASMARA FAMILY ENERGY STORAGE SYSTEMS



How to design an energy storage cabinet? The following are several key design points: Modular design: The design of the energy storage cabinet should adopt a modular structure to facilitate expansion, ...

### NORTH CYPRUS SMART ENERGY STORAGE CABINET DESIGN

Specifications of the smart solar container cabinet in asmara white valley northern cyprus The Cabinet offers flexible installation, built-in safety systems, intelligent control, and efficient operation. It features ...

CE UN38.3 MSDS



### ASMARA ENERGY STORAGE POWER STATION PROJECT

Integrated prefabricated cabin for energy storage power station With the core objective of improving the long-term performance of cabin-type energy storages, this paper proposes a collaborative design ...

## THE RED SEA ASMARA ENERGY STORAGE MODEL POWERING THE

Berlin Heavy Industry Energy Storage Cabinet Model This 100KW 215KWH C&I BESS cabinet adopts an integrated design, integrating battery cells, BMS, PCS, fire protection system, power distribution ...



## ASMARA SOLAR PANELS INSTALLATION

What is energy storage cabinet? Energy Storage Cabinet is a vital part of modern energy management system, especially when storing and dispatching energy between renewable energy (such as solar ...

## Asmara Industrial Energy Storage Battery: Powering Sustainable

Summary: Discover how industrial energy storage batteries like Asmara are transforming manufacturing, renewable integration, and peak shaving strategies. Learn about cost-saving applications, real-world ...



## Large Energy Storage Cabinet Installation: Best Practices for

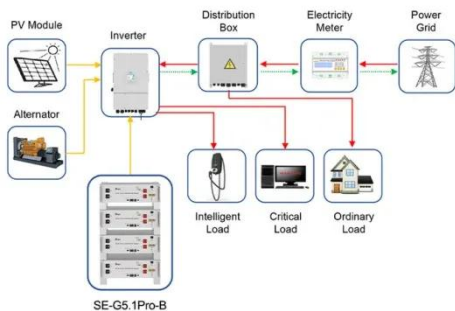
We specialize in large-scale energy storage systems, mobile power stations,



distributed generation, microgrids, containerized energy storage, photovoltaic projects, photovoltaic products, solar industry ...

## The Ultimate Guide to Energy Storage Cabinet Installation Steps ...

With the global energy storage market projected to hit \$546 billion by 2035 according to BloombergNEF, getting installation right isn't just smart - it's crucial for safety and system efficiency.



Application scenarios of energy storage battery products

## Asmara Wind and Solar Storage: Powering a Sustainable ...

Learn about hybrid storage systems, real-world case studies, and global market trends driving the shift toward cleaner power. With global renewable energy capacity \*growing by 50% in 2023 alone\*, the ...

## Step-by-Step Solar Battery Cabinet Installation Guide

The global energy landscape is undergoing a transformative shift driven

by escalating energy demands and rapid advancements in renewable energy technologies. Amidst this evolution, ...



---

## Contact Us

---

For catalog requests, pricing, or partnerships, please visit:  
<https://espay.es>

