

**Espay Solar Energy S.L.**

# **Alternatives to batteries for energy storage**



## Overview

---

Non-lithium battery alternatives, such as vanadium flow, non-vanadium flow, and sodium-ion batteries, offer scalable, safer, and more cost-effective solutions for stationary energy storage, despite trade-offs like higher upfront costs or lower energy density. Here are four innovative ways we can store renewable energy without batteries. Giant bricks are not what most people think of when they hear the words “energy storage”, but they are a key element of a gravity-based system that could help the world manage an increasing dependence on renewable. Lithium-ion batteries, the current standard, offer substantial performance but present significant drawbacks, including high costs, safety concerns, and limited material availability. Image used courtesy of Canadian Light Source These. But just as the world has moved on to renewable and sustainable sources of energy like wind and solar, similar breakthroughs in lithium-ion battery alternatives have also emerged in recent years. But. While lithium-ion batteries dominate the energy storage market due to their high energy density and fast charging, concerns about thermal runaway and fire risk have prompted exploration of safer alternatives. The energy storage market.

## Alternatives to batteries for energy storage

---



### The 5 Most Promising Alternatives to Lithium-ion Batteries

In this article, we will discuss the five most promising alternatives to lithium-ion batteries and their potential to revolutionize the energy storage industry.

### 7 alternatives to lithium-ion batteries: The future of energy storage?

While many of these efforts are still in their infancy, a handful may power next-gen electric vehicles and other consumer electronics within the next decade. So without wasting any ...



### 3 Alternatives: Energy Storage Options Move Beyond Lithium

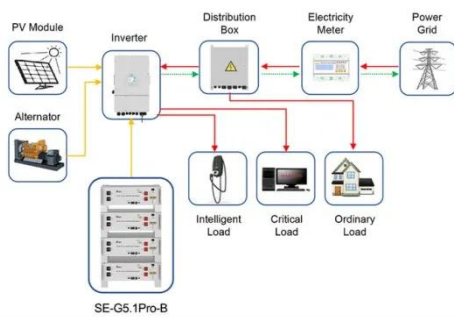
These limitations have spurred global efforts to explore alternatives, such as thermal and magnesium-based batteries, which promise better affordability, safety, and sustainability.



### Storing Solar Energy Without

## Batteries: Is It Possible?

Mechanical storage options like pumped hydro and compressed air store energy as kinetic energy. Hydrogen fuel cells convert excess solar energy into hydrogen gas for energy storage. This ...



Application scenarios of energy storage battery products

## Resolução CMN nº 4.966/21 , Deloitte Brasil

Em novembro de 2021, o Conselho Monetário Nacional (CMN) publicou a resolução nº 4.966/21, que estabelece novas regras contábeis para instrumentos financeiros com base nos conceitos da norma ...

## As novas exigências da Resolução CMN nº 4.966/21 para as

Substituindo a Resolução nº 2.682/99, que previa critérios para a classificação da carteira de clientes baseados em eventos passados para determinar a provisão necessária, a nova resolução exige ...



**2MW / 5MWh**  
Customizable

## AI tools identify promising alternatives to lithium-ion batteries for

Researchers from New Jersey Institute of



Technology (NJIT) have used artificial intelligence to tackle a critical problem facing the future of energy storage: finding affordable, ...

---

## Finding a Longer-Duration Alternative to Battery Storage

Between heightened awareness of the fire risk posed by lithium-ion batteries and the demand for storage beyond four hours, long-duration energy storage (LDES) solutions are stealing ...



---

## 4 clever ways to store renewable energy without batteries. , World

Energy storage is increasingly important as the world depends more on renewables. Here are four clever ways we can store renewable energy without batteries.

---

## We rely heavily on lithium batteries - but there's a growing

To find promising alternatives to lithium batteries, it helps to consider what has made the lithium battery so popular in the first place. Some of the factors that

make a good battery are



### Como a Resolução 4966 transforma a gestão de riscos nas ...

Aprenda o que muda com a Resolução 4966 e como adequar sua instituição financeira para maior transparência, segurança e compliance regulatório.

### Safer, Sustainable Alternatives to Lithium-Ion Batteries for Energy Storage

We explored alternative battery chemistries for battery energy storage systems (BESS) specific to transit property installation. This summary highlights the most promising alternatives to ...

**INTEGRATED DESIGN**  
EASY TO TRANSPORT AND INSTALL,  
FLEXIBLE DEPLOYMENT



### Resolução CMN nº 4.966 de 25/11/2021

Dispõe sobre os conceitos e os critérios contábeis aplicáveis a instrumentos



✓ TELECOM CABINET

✓ BRAND NEW ORIGINAL

✓ HIGH-EFFICIENCY

financeiros, bem como para a designação e o reconhecimento das relações de proteção (contabilidade de

...

## Alternative & Emerging Home Energy Storage Guide

In 2024, Lithium-ion home batteries are by far the most prevalent form of residential energy storage. But beyond traditional lithium-ion and lead-acid batteries, innovations such as solid-state

...



**We rely heavily on lithium batteries - but there's a ...**

To find promising alternatives to lithium batteries, it helps to ...

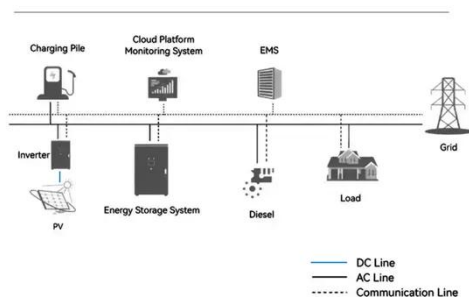
## Resolução 4966: entenda as mudanças e o que diz o Bacen

O que é a Resolução 4966 do BACEN? A Resolução 4966 é uma norma do Conselho Monetário Nacional que trata

dos critérios contábeis aplicáveis a instrumentos financeiros em ...



### System Topology



### Resolução CMN nº 4.966 de 25/11/2021

Art. 1º Esta Resolução estabelece os conceitos e os critérios contábeis a serem observados pelas instituições autorizadas a funcionar pelo Banco Central do Brasil para:

### Resolução 4966: o que é e como impacta o Setor Financeiro?

Neste texto, vamos entender o que é a Resolução 4966, suas principais exigências e como ela influencia não apenas as práticas operacionais das instituições financeiras, mas também a confiança ...



## Contact Us

For catalog requests, pricing, or partnerships, please visit:  
<https://espay.es>

