

**Espay Solar Energy S.L.**

# **20kW oceania outdoor telecom enclosure for field operations**



## 20kW oceania outdoor telecom enclosure for field operations

---



### Outdoor Telecom Enclosure

Contact us today to buy or customize an outdoor telecom enclosure right for your needs! Spacious and Modular Design: Our enclosures have adequate space and modular designs to shelter your ...

### Outdoor Telecom Cabinet , Outdoor Telecom Enclosures , Cube Cabinet

Charles Universal Broadband Enclosures (CUBE) are constructed to withstand the elements and provide superior protection for active electronics in all environments.



### Outdoor Telecommunication Enclosures , Fiber Splice Enclosures

Telecommunications enclosures can be installed indoors or outdoors, with wall-mount and pole-mount options. Our telecommunications & fiber splice enclosures can be customized to meet your ...

## Telecom System Integration and

## Outdoor Network Enclosures for ...

Westell offers secure, weather-tight outdoor network enclosures to protect electronic equipment for outdoor telecom networks.



## Outdoor Enclosure Solutions

Rittal offers outdoor enclosures and the appropriate climate control features as standard, to provide maximum protection for your systems and equipment outside.

## Weatherproof Outdoor Electrical Enclosures , Durable Outdoor Telecom

Discover AZE Telecom's weatherproof outdoor electrical enclosures and durable outdoor cabinets. Protect your electrical and telecom equipment from harsh environments with our IP-rated, ...



## Outdoor Telecommunication Enclosures

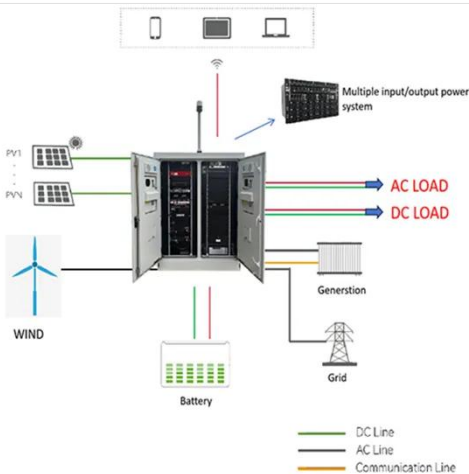
We provide superior outdoor enclosures that are ready for installation. Fill out our registration form or call us at

904-674-2976 to learn more about our products and customization services.



### Outdoor Telecom Cabinets & Enclosures , NEMA-Rated

Each weatherproof outdoor enclosure is rated NEMA Type 3, 4, 5, or 6 and undergoes rigorous field testing to ensure reliability in demanding outdoor environments. Whether facing desert heat, arctic ...



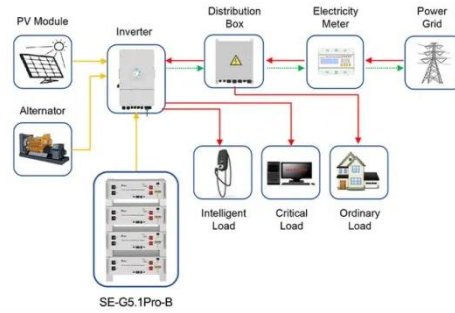
### Outdoor Enclosures , NEMA-Rated Telecom Cabinets , IP55, IP65

Explore AZE's premium NEMA-rated and weatherproof enclosures designed for telecom, industrial electrical, and energy storage applications. Built to withstand harsh environments and extreme ...

### Telecom Enclosures , Outdoor Telecom Cabinet , Telhua

Telhua's IP55 outdoor telecom cabinet with universal rack mount brackets provides weatherproof protection, high-

density capacity, and rapid deployment for demanding telecom applications.



Application scenarios of energy storage battery products

## Contact Us

For catalog requests, pricing, or partnerships, please visit:  
<https://espay.es>

