

Espay Solar Energy S.L.

150kW Battery Energy Storage Cabinet for Border Posts



150kW Battery Energy Storage Cabinet for Border Posts

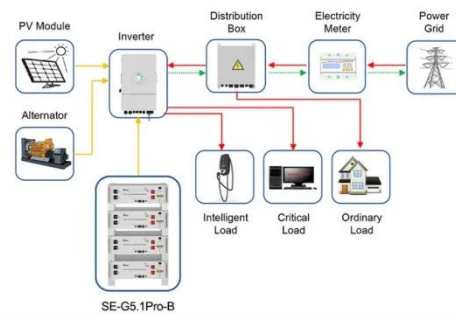


150kwh Battery Storage Systems

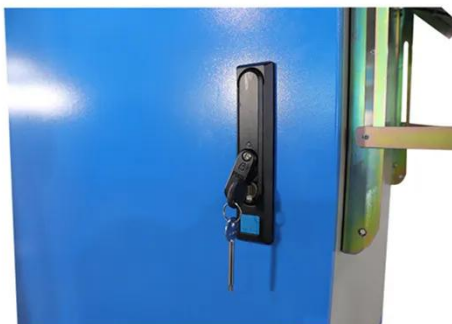
150kwh Battery Manufacturer, Dawnice 150 Kw Cabinet Batteries with IEC UL CE MSDS UN38.3, For Industrial and Commercial Use, More Than 10 Years Warranty.

150kw energy storage cabinet

The All-in-One liquid-cooled energy storage terminal adopts the design concept of "ALL in one," integrating high-security, long-life liquid-cooled batteries, modular liquid-cooled PCS, intelligent ...



Application scenarios of energy storage battery products



Air-cooled C& I BESS Energy Storage Cabinet , AZE

50KW 100KW 150KW 215KW Air-cooled C& I BESS Energy Storage Cabinet Model:RODF421375DC1K5W-B10 AZE's Our air-cooled C& I BESS Energy Storage Cabinet is the ...

Lvk 150kw 230kwh Solar Battery Energy Storage System with Dg ...

Lvk 150kw 230kwh Solar Battery Energy Storage System with Dg & Solar Access for Self Consumption for Farm with VDE4105 Certificate, Find Details and Price about Energy Storage ...



150kW DC40V~300V Bidirectional AC/DC PCS Power energy storage Cabinet

V2G enables bidirectional energy flow between electric vehicles and the power grid, allowing electric vehicle owners to charge during off-peak hours and discharge during peak hours to ...

150kw Battery Energy Storage System

We provide high-quality PV solar products and energy storage systems such as lithium ESS, designed to work together seamlessly for maximum efficiency. With durable and reliable solar panels and a comp



150kW Li-Ion Battery Storage Cabinet 200kWh-300kWh with 10 ...

HJ-ESS-215A is a high-capacity air-cooled energy storage system designed for



Deye inverters and Deye batteries are more compatible.

outdoor industrial and commercial applications. The system features 100KW power output and 215KWh energy storage ...

150 kWh Battery Commercial Battery Backup

150 kWh battery price, commercial battery backup systems, modular battery storage, commercial solar power storage batteries.

Test certification
CE FC U



Commercial ESS 150kW/300kWh - EnSmart Power

All components for battery storage, system operation and grid connection is pre-assembled for a plug and play use can meet the battery storage requirements up to 300kWh in one ...

Hitek All in One off Grid 50kw 100kw 150kw 200kw 250kw 500kw ...

Hitek All in One off Grid 50kw 100kw 150kw 200kw 250kw 500kw Bess Solar Battery Energy Storage System 1MW Hybrid Solar System with Distributed

Battery Cabinet US\$34,604.00 1 ...



Contact Us

For catalog requests, pricing, or partnerships, please visit:
<https://espay.es>

